

Instructions for use:

1. Determine the surface cutout required for the Cove model being installed, see fig. 1 & 2, and prepare the surface. If your unit mounts via screws through the face plate, skip step 2.
2. Remove the thumb nut and brackets from the studs, see fig. 3.
3. Insert the Cove through the cutout.
4. Replace the brackets and thumb nut, or secure the Cove with mounting screws. Tighten the nuts, or screws until secure, do not over tighten.
5. Run the Cove's power cord to an appropriate 120VAC power outlet.

Table cutout dimensions:

Model	COV-1U	COV-2	COV-21	COV-2U	COV-2UD	COV-22U	COV-3	COV-3U	COV-31U	COV-3D	COV-3UD	COV-4	COV-4U	COV-4D	COV-4UD	COV-6	COV-6U	COV-6UD
"X" Dim.	4.50"	4.50"	5.25"	5.25"	9.00"	7.25"	5.75"	7.25"	7.25"	9.50"	11.00"	7.25"	8.25"	11.00"	12.00"	10.25"	12.75"	16.50"

Fig. 1

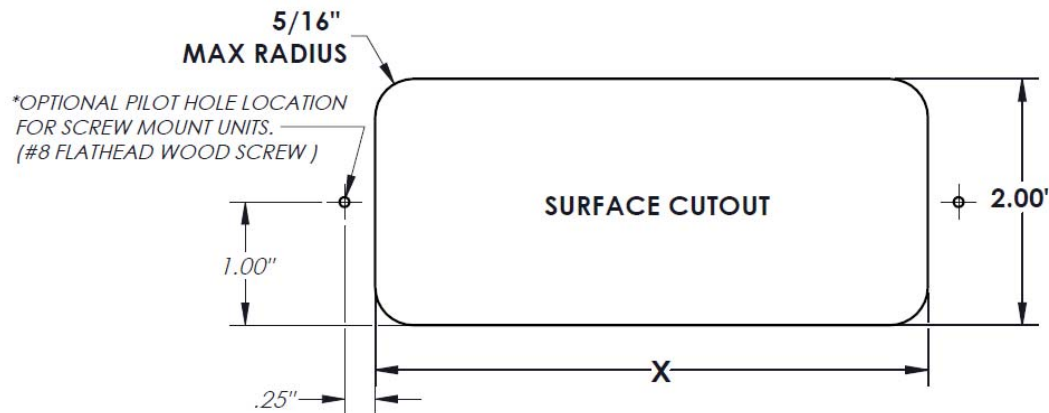


Fig. 2

Mounting with thumb screws:

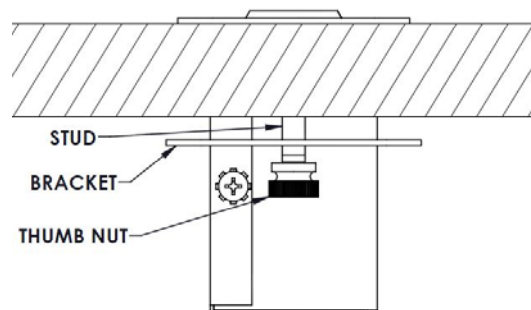


Fig. 3

Mounts to Surface Thicknesses: .75"-1.25"

Cove™ technical information

- ETL Listed.
- 12A, 120 VAC spill resistant receptacles.
- USB charging ports that work with USB compatible devices.*
- USB Rating: 2.1A, 11 Watts, 5V/DC.
- Integral circuit breaker protection.*
- Comes standard with a 108" power cord and a minimum wall clearance, 90 degree plug.
- All metal construction.
- Rugged powder coat, and aluminum anodize finishes for lasting durability.
- Available in two mounting types (thumb screw or wood screw).
- Available in power, data, and USB configurations ranging from 1 outlet with 2 USB ports, through 6 outlets with a customizable data plate, and 4 USB ports.

* On select models.

Cautions & Warnings

WARNING: FAILURE TO FOLLOW CAUTIONS AND WARNINGS BELOW COULD RESULT IN ELECTRICAL SHOCK, FIRE, PROPERTY DAMAGE, PERSONAL INJURY OR DEATH.

Cautions:

- Read Instructions · Read all warnings and operating instructions before using.
- Retain Instructions · Retain this Instruction sheet for future use.
- Never use in a wet environment. Never allow liquid of any kind to spill onto, or enter any part of the Cove.
- Follow Warnings · Read and follow all warnings and directions in this instruction sheet and marked on the equipment.
- Service · There are no user serviceable parts in this product. Do not open or modify the Cove in any manner.

Warnings:

- Power Source · This product is only to be operated from the power source indicated on the Cove. Use only with a grounded (neutral) conductor. For safety, do not bypass or disable the third (grounding) pin.
- Power Disconnection · To remove powered devices safely grasp the device's plug and pull straight from the powered outlet. Do not pull on the device cord or remove the plug from any angle other than straight from the outlet. Never touch the metal conductors on the plug during connecting to or removal from the product.
- Power Cord · Route the product's power cord where it will not be stepped on, pinched, have devices placed on it or become a tripping hazard. Never allow the power cord to sit in any liquid or get wet in any manner.
- Location · This product is intended to be used in a dry environment only.