

Welcome!

We greatly appreciate your purchase of the CNK600 Cable-Nook Interconnect Box. We are sure you will find it reliable and simple to use. Superior performance for the right price, backed by solid technical and customer support is what Altinex offers.

We are committed to providing our customers with Signal Management Solutions® to the most demanding audiovisual installations at competitive pricing and we welcome you to join the ranks of our many satisfied customers throughout the world.

1. Precautions and Safety Warnings

Please read this manual carefully before using your CNK600. Keep this manual handy for future reference. These safety instructions are to ensure the long life of your CNK600 and to prevent fire and shock hazards. Please read them carefully and heed all warnings.

1.1 General

- Qualified ALTINEX service personnel or their authorized representatives must perform all service.

1.2 Installation

- For best results, place the CNK600 Cable-Nook Interconnect Box in a dry area away from dust and moisture.
- To prevent fire or shock, do not expose this unit to water or moisture. Do not place in direct sunlight, near heaters or heat-radiating appliances, or near any liquid. Exposure to direct sunlight, smoke, or steam can harm internal components.
- Handle carefully; dropping or jarring can damage the unit.
- Never place fingers inside the openings in the back of the unit. This action could cause serious injury because of the sharp edges inside.

- Do not place heavy objects on top of the CNK600.
- Install all cables according to the instructions.

1.3 Cleaning

- Clean surfaces with a dry cloth. Never use strong detergents or solvents such as alcohol or thinner. Do not use a wet cloth or water to clean the unit.

1.4 FCC Notice

- This device complies with Part 15 of the FCC Rules. Operation is subject to the following two conditions: (1) This device may not cause harmful interference, and (2) this device must accept any interference received, including interference that may cause undesired operation.
- This equipment has been tested and found to comply with the limits for a Class A digital device, pursuant to Part 15 of the FCC Rules. These limits are designed to provide reasonable protection against harmful interference when the equipment is operated in a commercial environment. This equipment generates, uses, and can radiate radio frequency energy and if not installed and used in accordance with instructions found herein, may cause harmful interference to radio communications. Operation of this equipment in a residential area is likely to cause harmful interference in which case the user will be required to correct the interference at his own expense.
- Any changes or modifications to the unit not expressly approved by Altinex, Inc. could void the user's authority to operate the equipment.

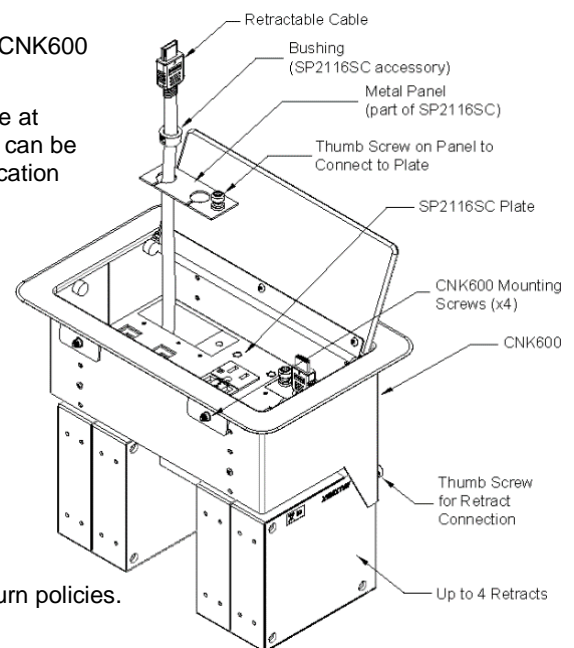
2. Installation Procedures

Note: Download and read the entire online manual to become familiar with the CNK600 and for detailed installation instructions

- Step 1. Cut an opening into the table for the CNK600. Refer to the Altinex website at www.altinex.com for table cutout requirements template. Table thickness can be 3.5 in (89 mm) or less. Always confirm dimensions before cutting; specification can change.
- Step 2. Assemble the SP2116SC/SP2117SC plates with snap-in cables and install plates into the CNK600.
- Step 3. Install any retracts unit to the CNK600 body. Cables feed through the CNK bottom plate, retract metal panels, and up through bushing as shown. Connect retract metal panel to the SP plate using thumb screws attached. Slide bushings into plate openings to provide cable retention.
- Step 4. Insert assembled CNK600 into opening. Tighten mounting screws to the table from the top using provided Arm Hex-L key.
- Step 5. Connect cables to their corresponding inputs under the surface.

3. Limited Warranty/Return Policies

Please see the Altinex website at www.altinex.com for details on warranty and return policies.



4. Technical Specifications

Specifications are subject to change. See www.altinex.com for up-to-date information.

Features/Description	CNK600
Inputs	
Video/Audio	n/a
Outputs	
Video/Audio	n/a
Compatibility	
Cable-Nook Standard and Customizable Plates	SP2116SC SP2117SC
Snap-In Connectors	All Altinex Snap-In Connectors
Retractable cables	All Altinex Retractable Cables
Accessories Included	
Mounting Hardware	-Mounting screws(4pcs) -Mounting Brackets(4pcs) (attached to the unit) - Arm Hex L- Key

Table 1. CNK600 General

Mechanical	CNK600
Minimum Table Thickness	0.5 in (13 mm)
Maximum Table Thickness	3.5 in (89 mm)
Housing Dimensions	
Height	5.8 in (147 mm)
Width	9.3 in (236 mm)
Depth	5.1 in (130 mm)
Bezel Dimensions (surface)	
Width	11.1 in (282 mm)
Depth	7.0 in (178 mm)
Color: CNK600 CNK600S	Black Brushed Aluminum
Material	Aluminum
T° Operating	10°C-35°C
T° Maximum	50°C
Humidity	90% non-condensing
MTBF (calculations)	40,000 hrs. (min.)

Table 2. CNK600 Mechanical

5. About Your CNK600

- Installs easily into tabletop
- Convenient mounting from top of table
- Easy access to cable ends or fixed connectors
- Simple, cost-effective interconnect solution
- Sold as an empty unit
- Pre-configured customizable plates SP2116SC or SP2117SC available
- Ten-year warranty

The CNK600 is a simple, effective way of hiding/storing multimedia cables and connectors when not in use. It is designed for boardrooms and conference rooms. Cables remain connected to a presentation system enabling the user to access connections to AC power, video, audio, and other media sources.

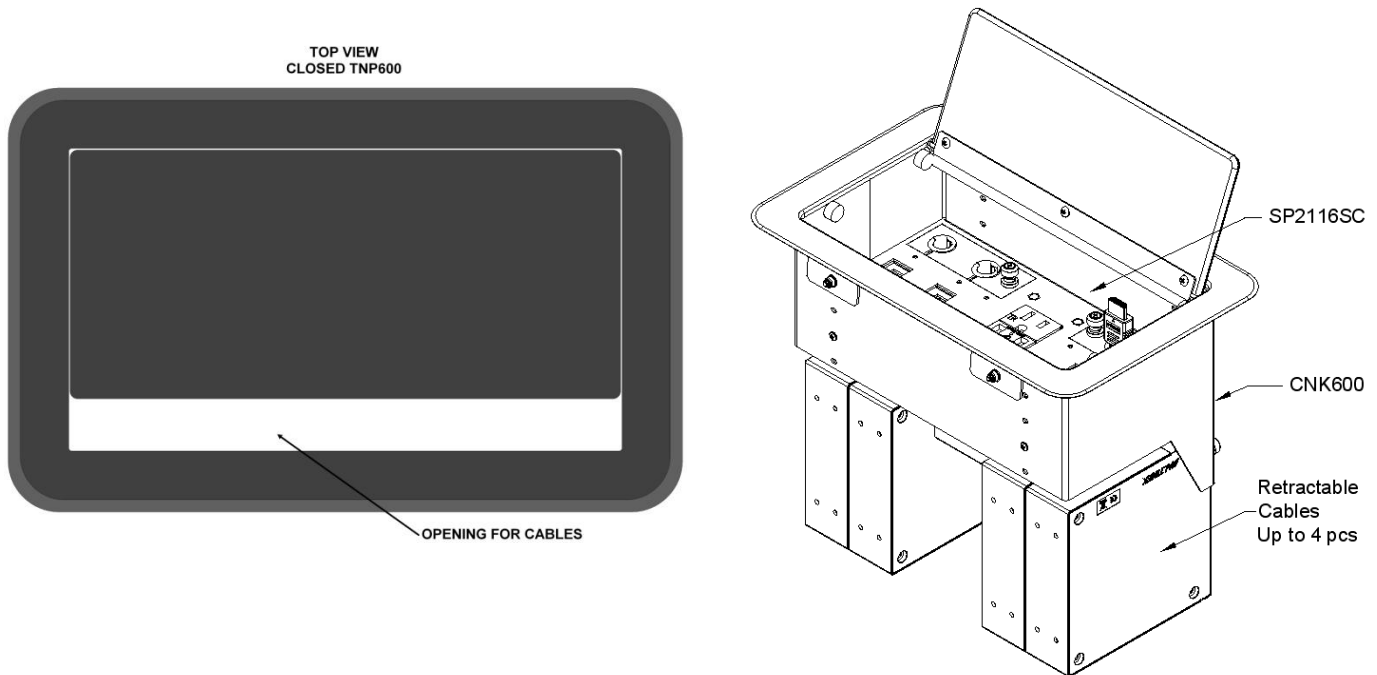
The CNK600 Cable-Nook is designed for use with tables ranging from half an inch to 3.5 in thick. The height of the interior shelf can also be adjusted for different depths. The CNK600 comes in a standard matte black color; the CNK600S is brushed aluminum.

The modular Cable-Nook uses a trapdoor type lid that remains flush with the table when not in use. To access the cables or connectors, simply lift the lid and pull the cable ends out, or plug cables into fixed connectors. The closed lid has an opening that allows cables to be used with the lid closed. After the presentation, the cable ends are returned to the Cable-Nook for safe storage.

Cables feed through the Cable-Nook to the underside of the table, enabling connection to the presentation system.

The CNK600 has convenient mounting that can be done from the top of the table using the hex-L-key provided. The CNK600 may be ordered with either of the all-purpose, pre-configured customizable plates SP2116SC or SP2117SC. Plates are mounted directly to CNK600 chassis using provided with plates 4 screws.

The CNK600 is designed such that retractable cables can be mounted directly to the unit without any additional mounting brackets. The CNK600 body has thumb screws for retract connections eliminating the need for additional tools.



6. Application Diagrams

Diagram 1: Typical Setup

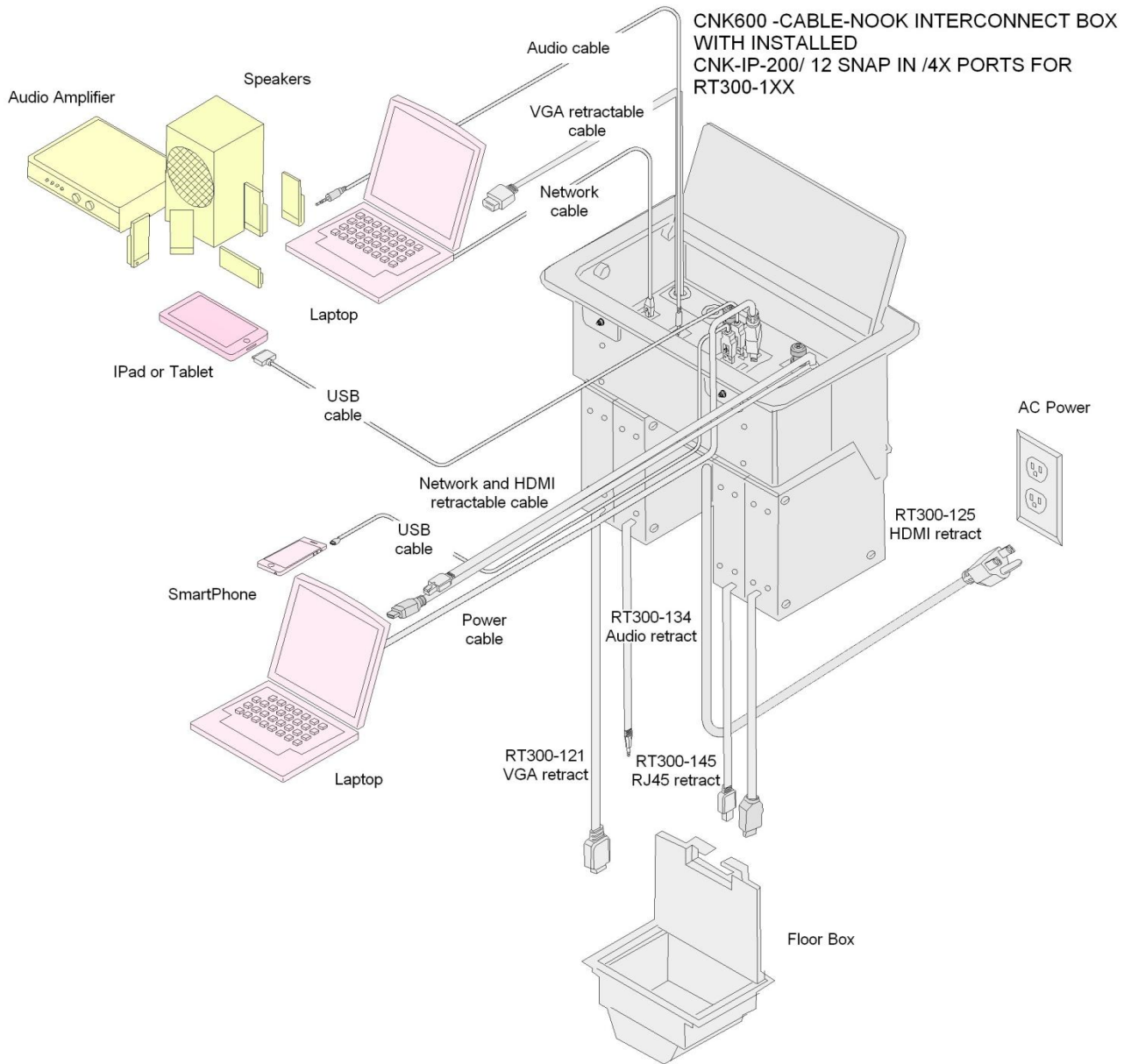


Diagram 2: Dimensions Top and Front

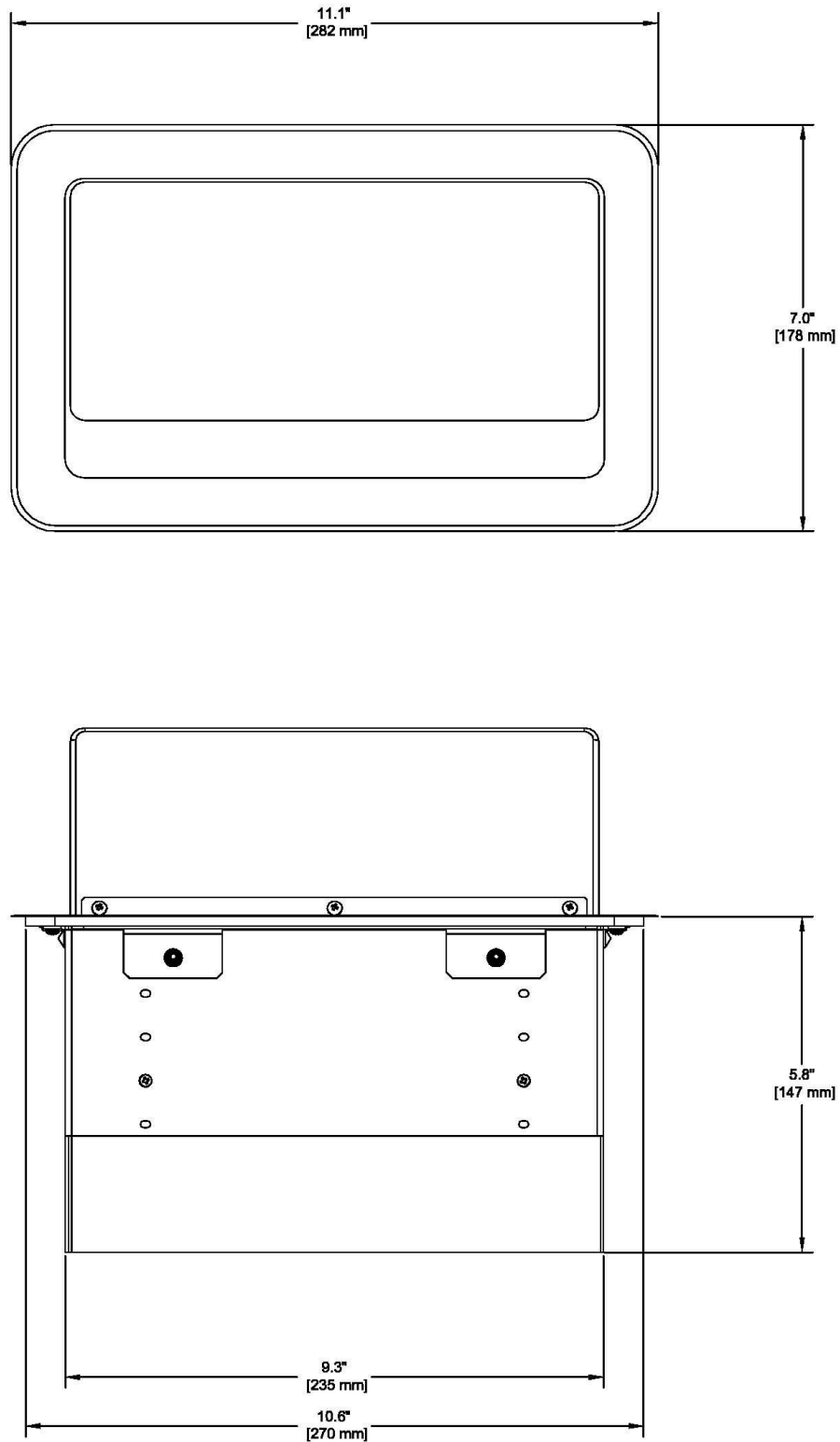


Diagram 3: Side View Dimensions

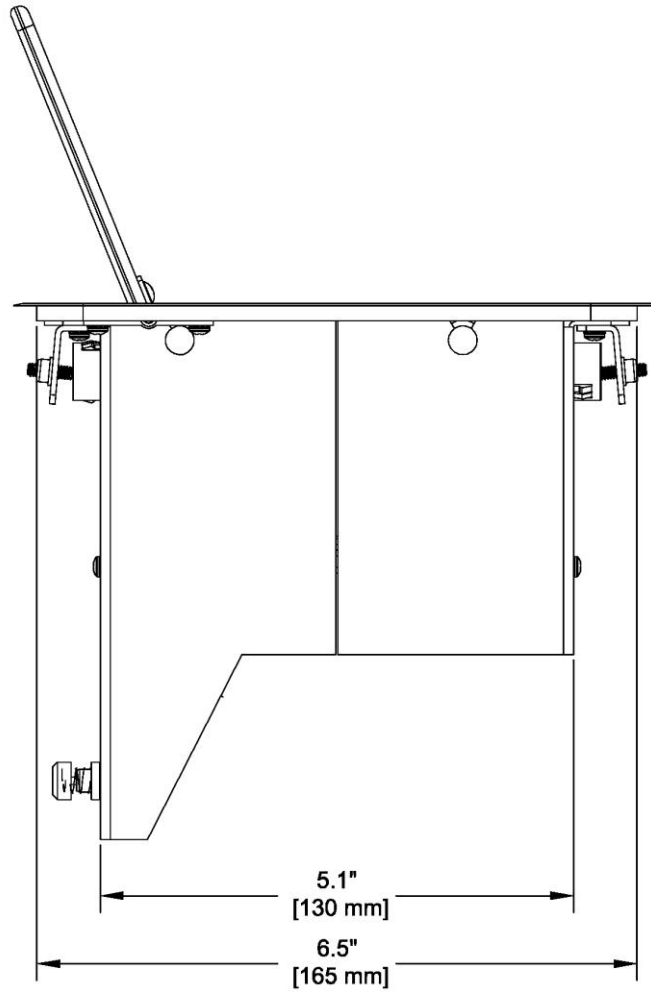


Diagram 4: SP2116SC plate

The CNK600 can be customized using the SP2116SC Plate.

The SP2116SC plate offers dual 12 Amp AC sockets along with 2 USB ports that deliver up to 3A of charging power. The USB charger has an LED to indicate power availability. The plate also has 12 ports for snap in cables that can be customized based on the customer's requirements. In addition, the SP2116SC plate is designed to be used with up to 4 of any combination of Altinex retractable cables. Unused snap ins and retract opening may be covered with provided as accessories plugs.

Shown below is the SP2116SC top view. See our website at www.altinex.com for a complete list of available customizable snap-in connectors and available retract cables.

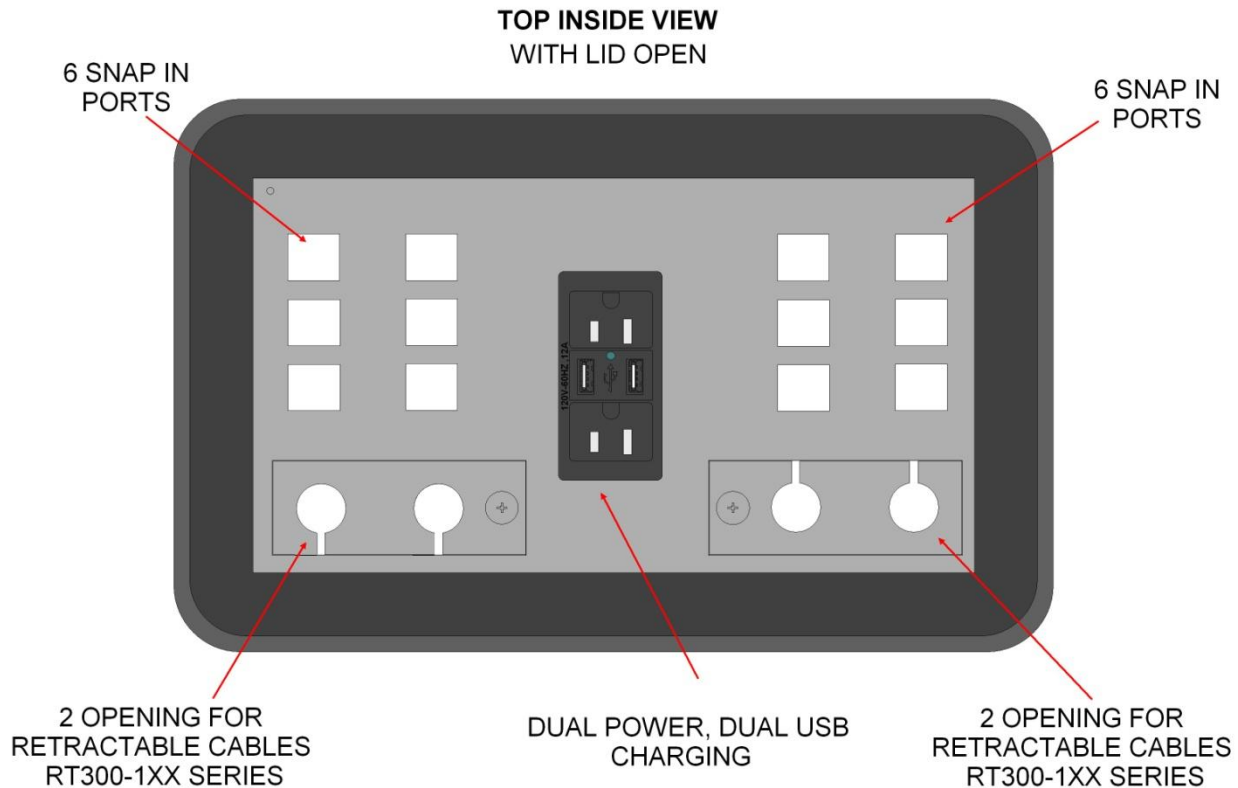
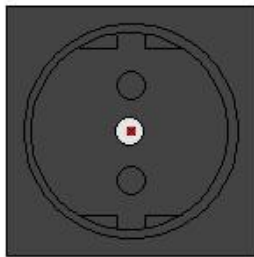
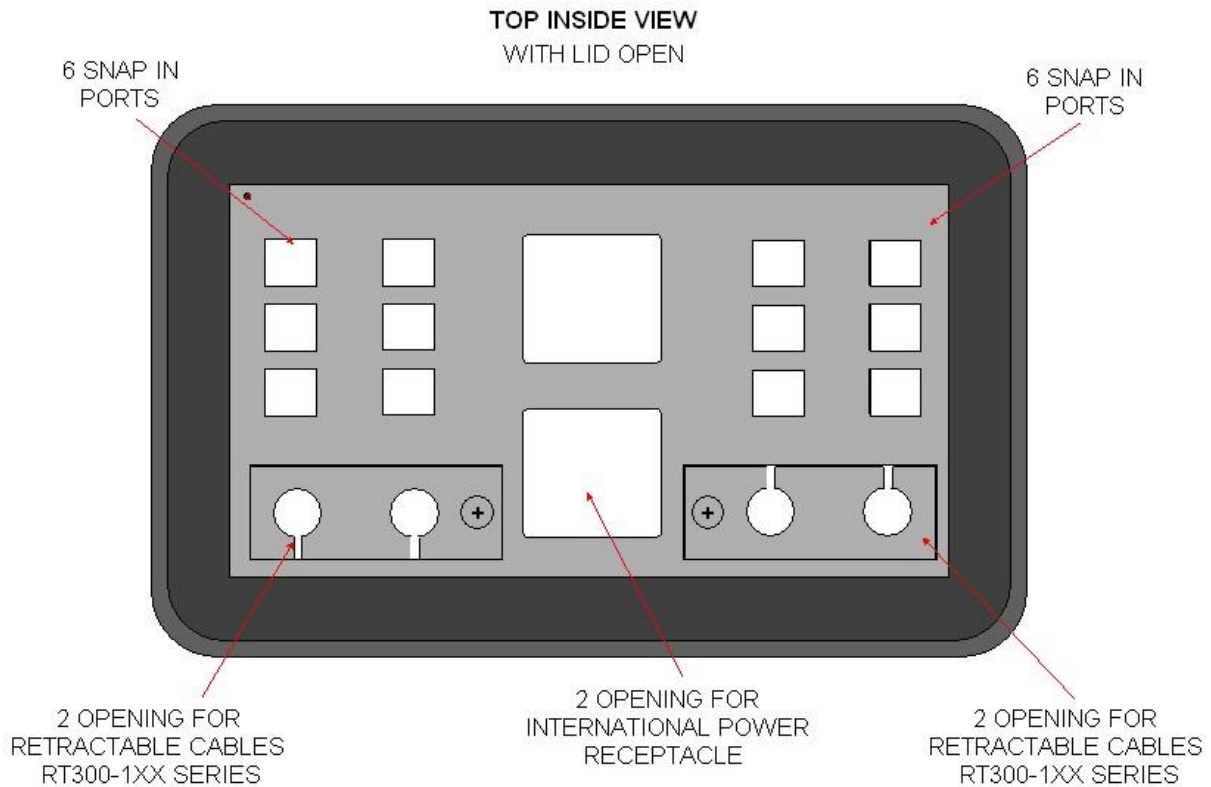


Diagram 5: SP2117SC Plate (International)

International power outlets are accommodated using the SP2117SC Plate.

The SP2117SC plate offers custom dual international AC sockets and 12 ports for snap in cables that can be customized based on the customer's requirements. In addition, the SP2117SC plate is designed to be used with up to 4 of any combination of Altinex retractable cables. Unused snap ins and retract opening may be covered with provided as accessories plugs.

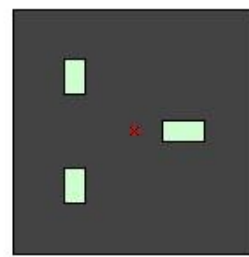
Shown below is SP2117SC top view. See our website at www.altinex.com for a complete list of available customizable snap-in connectors and available retract cables.



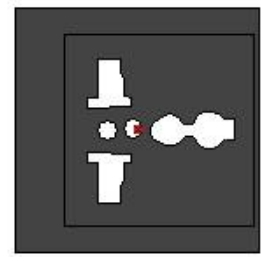
PS5808GR



PS5808AU

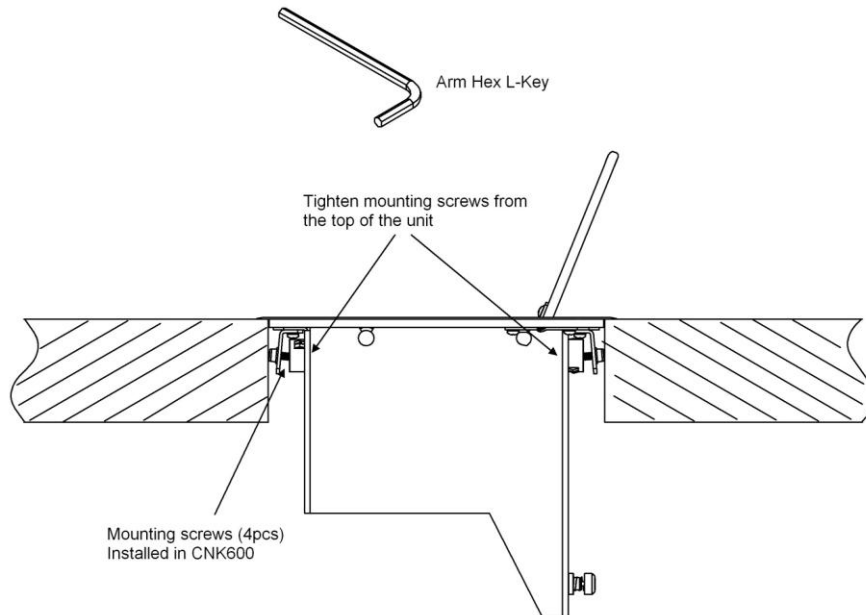


PS5808UK

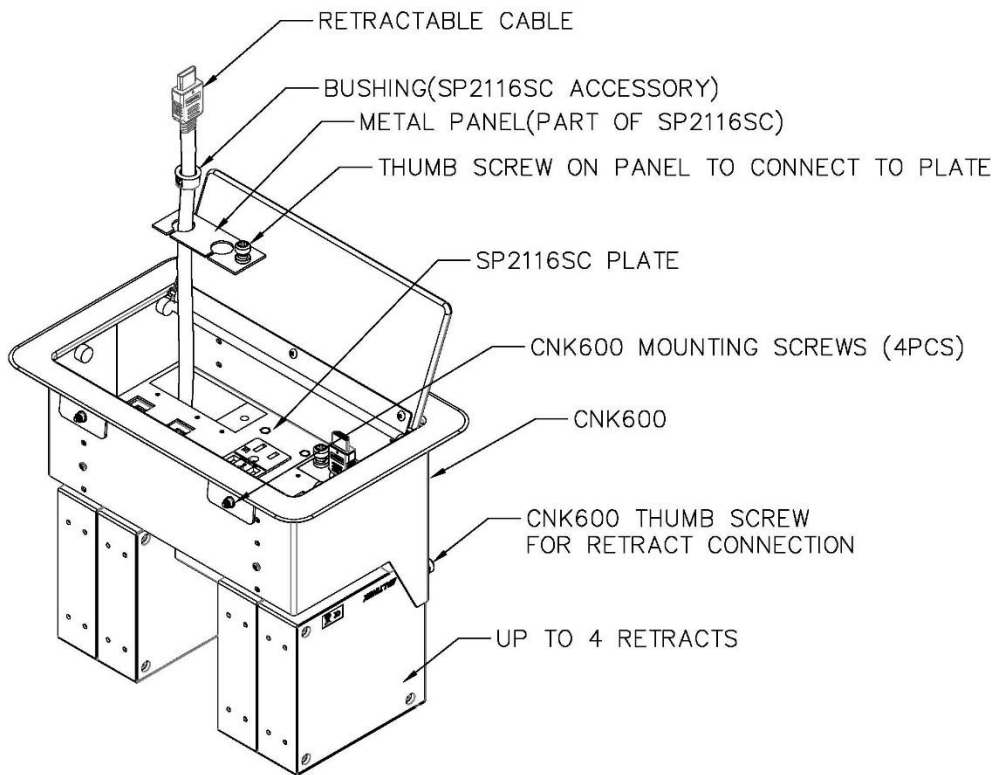


PS5808UV

Diagram 6: Retractable Cables Mounting



- ① Insert the CNK600 through the opening in the table .
- ② Tighten mounting screws from the top of the unit with unit Arm Hex L-Key.



7. Operation

7.1 Accessing the CNK600

The CNK600 cover opens easily and remains open until all the cables are connected.

The cover should be closed with the cables routed through the opening in the cover to prevent damage to the unit and cables.

7.2 Power/Signal Connections

Connect external devices to the appropriate connector from the CNK600. Remember, the devices plugged into the AC power connectors should not draw more than the rated values of the cables and/or circuit.

8. Troubleshooting Guide

The CNK600 supplied was carefully tested and no problems were detected. However, we would like to offer the following suggestions:

- Please make sure that the highest quality network cables are used.
- Make sure that no cable or power cord is damaged or pinched. If there has been damage, do not use the CNK600. Please call the Altinex Customer Service Department at (714) 990-2300 to have the unit repaired.