

CNK241

Cable-Nook Jr.™ - Tabletop Interconnect Box

Order No. CNK241



- Compact enclosure installs into tabletop
- Convenient access to cable ends or fixed connectors
- Optional retaining bracket adjusts for range of cable types
- Modular configuration allows room for additional connectors
- Simple, cost-effective interconnect solution

SPECIFICATIONS

Mechanical

Maximum Table Thickness: 3.5in (88.90mm)
Width: 6.030 in (153 mm)
Height, opened: 8.230 in (209mm)
Depth: 6.5 in (166 mm)
Finish: Matte Black (default)
T° Operating: 10°C-35°C
T° Maximum: 50°C

Humidity: 90% non-condensing

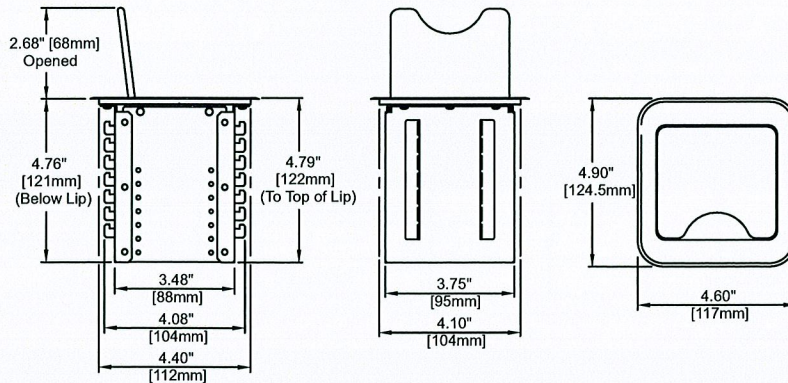
Number of Slots: 23

Includes CNK221 interconnect box, CN5110RB retaining brackets (5-pack) & CN5102US dual AC power outlet.

Warranty

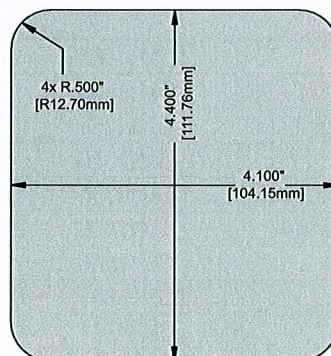
3 year warranty

PRODUCT DIMENSIONS



Note: Drawings Not To Scale.

TABLE CUTOUT DIMENSIONS



Note: Drawings Not To Scale.