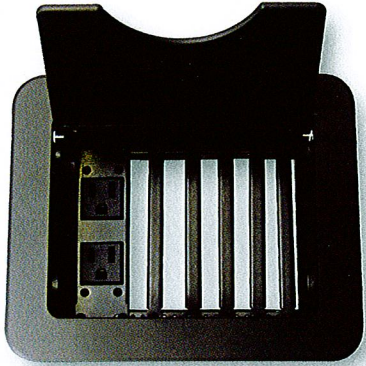


CNK240

Cable-Nook™ - Modular Tabletop Interconnect Box

Order No. CNK240



- Installs into tabletop
- Convenient access to cable ends or fixed connectors
- Optional retaining bracket adjusts for range of cable types
- Modular configuration: more room for additional connectors
- Simple, cost-effective interconnect solution

SPECIFICATIONS

Mechanical

Maximum Table Thickness: 3.5in (88.90mm)
Width: 6.030 in (153 mm)
Height, opened: 8.230 in (209mm)
Depth: 6.5 in (166 mm)
Finish: Matte Black (default)
T° Operating: 10°C-35°C
T° Maximum: 50°C

Humidity: 90% non-condensing

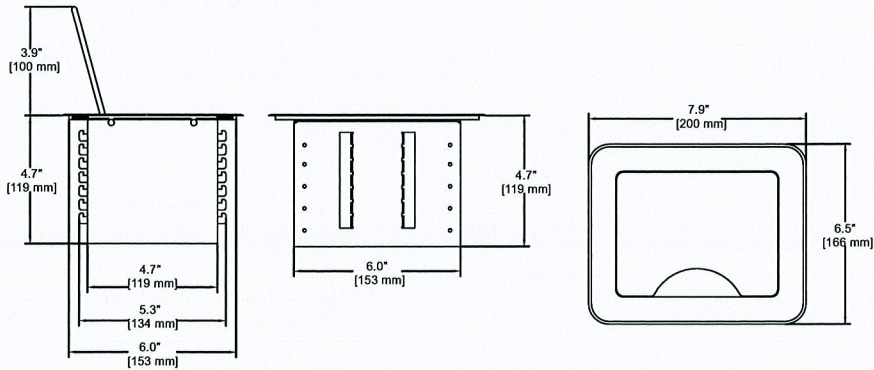
Number of Slots: 23

Includes CNK200 interconnect box, CN5010RB retaining brackets (5-pack) & CN5008US dual AC power outlet.

Warranty

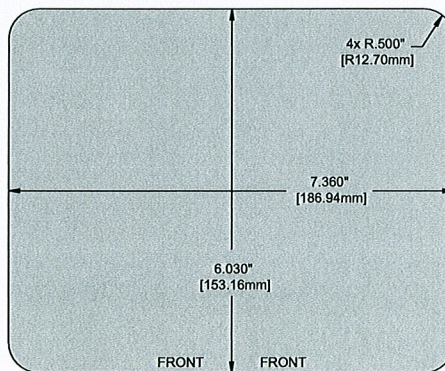
3 year warranty

PRODUCT DIMENSIONS



Note: Drawings Not To Scale.

TABLE CUTOUT DIMENSIONS



Note: Drawings Not To Scale.