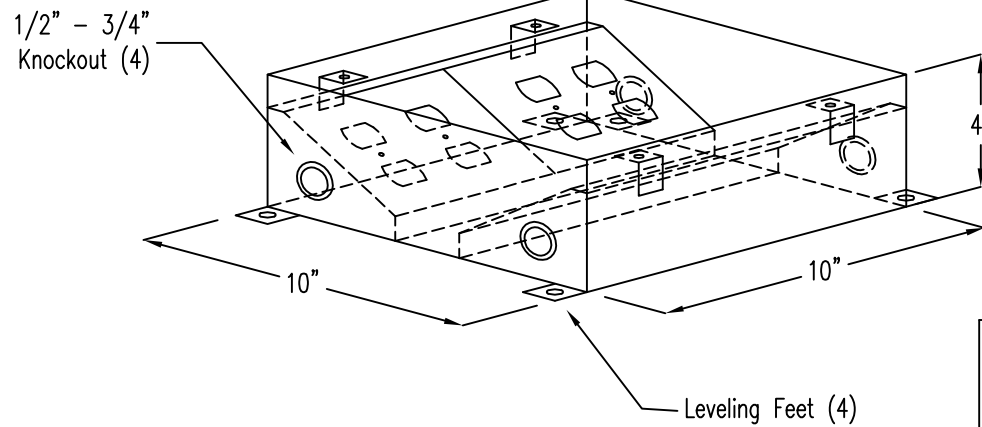
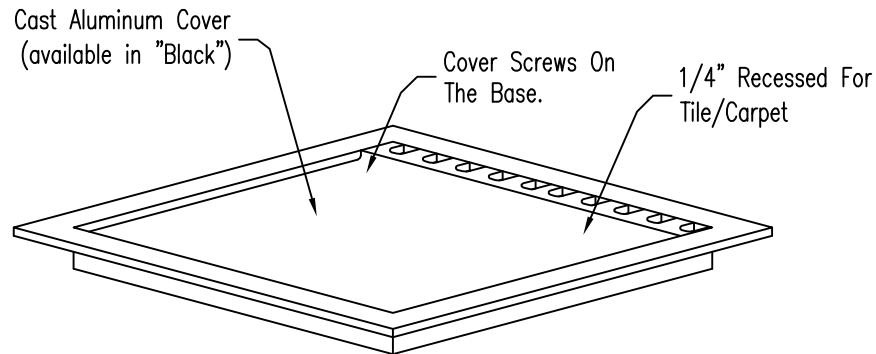
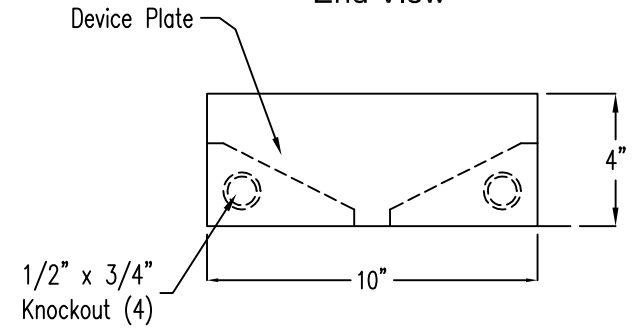



CF10C Concrete Floorbox

CF10C Base
End View



Other device plates
are also available

		Canadian Electrical Raceways Inc.	
Drwn by: Manjinder		Material: 16ga Galvanized Steel	
Date: Feb 27,08		Scale: Not To Scale	
CF10C Concrete Floor Box			Drwg No:
CSA Load Class:	Width: 10"	Depth: 4"	
Supplied Length: 10"	Description: Floor Box		
PROJECT:			