

Overview

The CB-MSA-10 Rough-In Box (**FG2265-08**) is an optional accessory for the Modero S Series 10.1" Wall Mount Touch Panel. It allows the panel to be mounted directly to the studs/pre-wall.

The back of the Modero S Series 10.1" Wall Mount Touch Panel is contained within a plastic outer housing or *back box*, and the back box attaches to the Rough-In Box. The Rough-In Box kit includes a wall box, cover, and mounting screws.

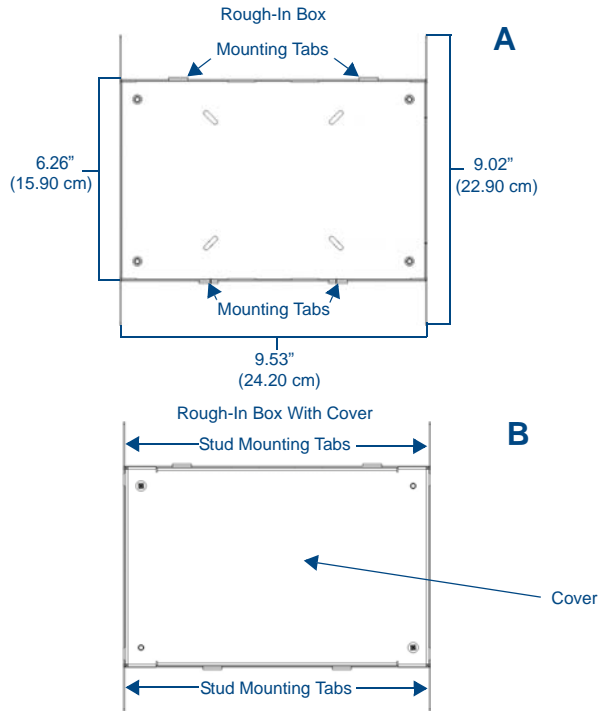


FIG. 1 CB-MSA-10 Rough-In Box - with front cover

WARNING: In order to guarantee a stable installation of the touch panel, the distance between the CB-MSA-10 and the outer wall surface must be a minimum of .50 inches (1.27cm) and a maximum of .150 inches (3.81cm).

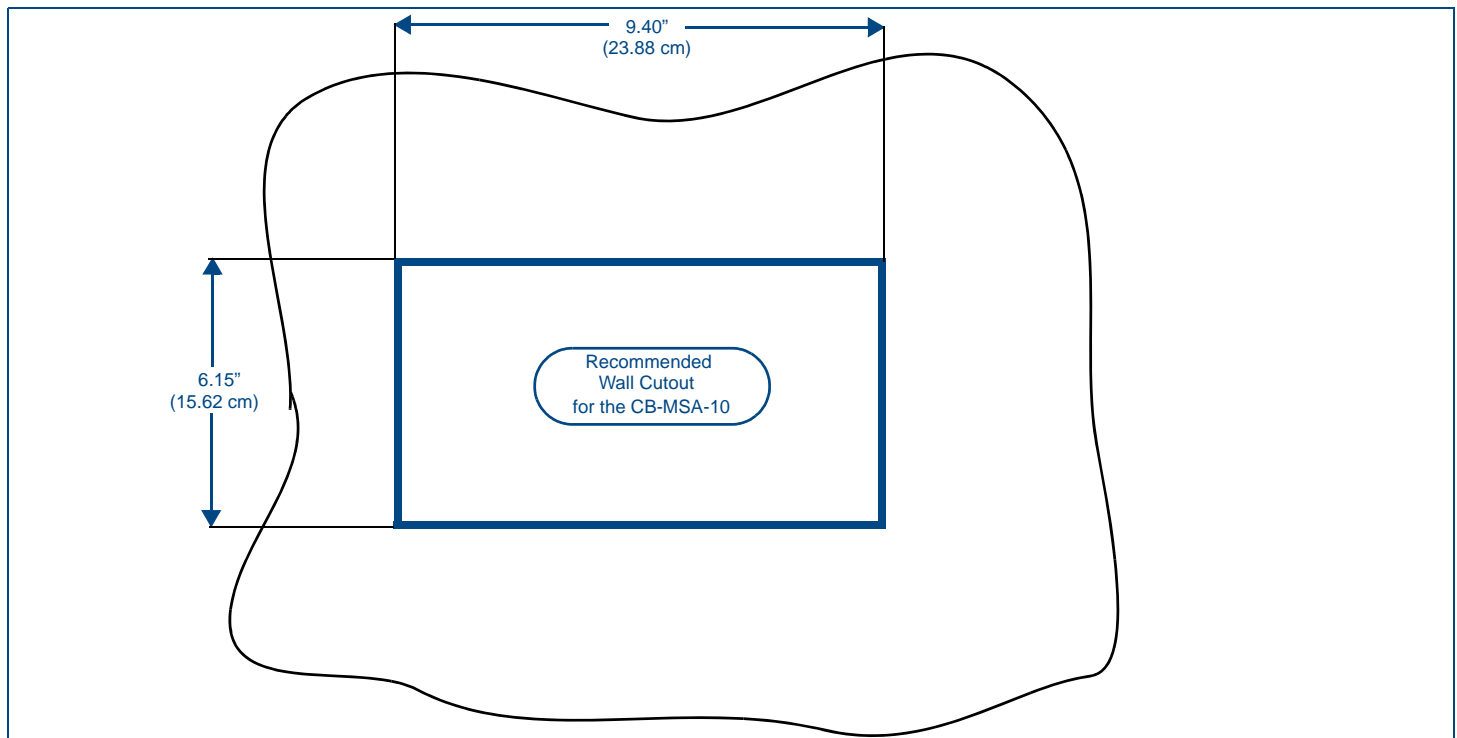
Refer to the 95-2265-08 diagram for detailed installation dimensions.

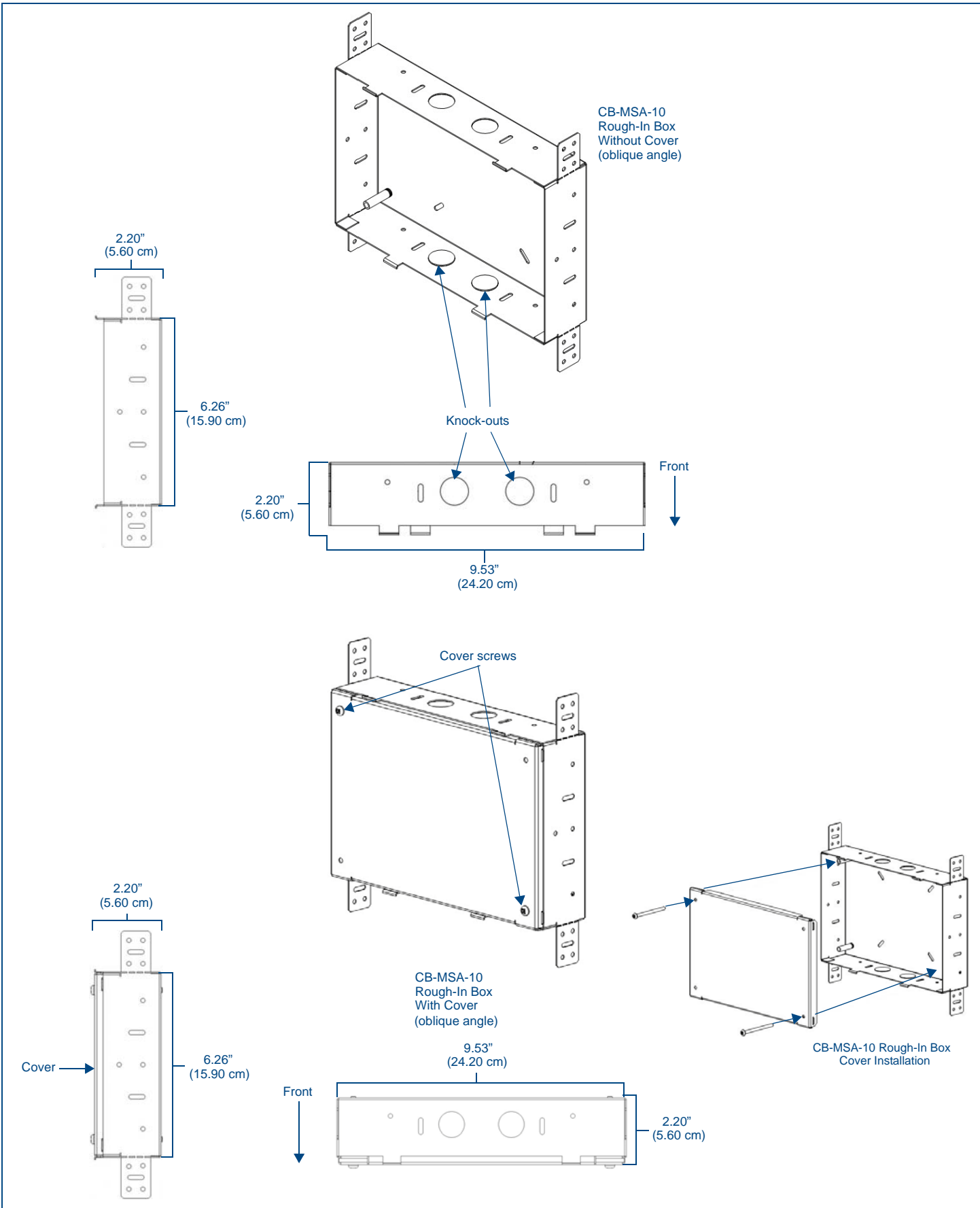
Specifications

| CB-MSA-10 (FG2265-08) Specifications | |
|--------------------------------------|--|
| Dimensions (HWD) | <ul style="list-style-type: none"> Rough-In Box: 9.0" x 9.53" x 2.20" (22.90 cm x 24.20 cm x 5.60 cm) Rough-In Box Cover Plate: 6.26" x 9.53" x .18" (15.90 cm x 24.20 cm x 0.46 cm) |
| Weight | <ul style="list-style-type: none"> With cover: 1.95 lbs (0.88 kg) Without cover: 1.30 lbs (0.59 kg) |
| Certifications | <ul style="list-style-type: none"> UL Listed |
| Included Accessories: | <ul style="list-style-type: none"> Cover Plate for Rough-in Box (FG039-20) Cover Plate to Rough-In Box Mounting Screws (4) (80-5967-03) |

Pre-Wall Installation of the CB-MSA-10 Rough-In Box

- Remove the rough-in box cover (**B** in FIG. 1) before installation of the Rough-In Box (**A**). **Note:** the cover *MUST* be removed before drywall installation. The cover may be reinstalled after drywall installation using 4-40 screws (not included). The mounting tabs on the front of the rough-in box (**A**) are intended to allow additional anchoring of the rough-in box to its wall, but these can be removed if necessary.
 - Fasten the CB-MSA-10 rough-in box to the stud through the holes on the Stud Mounting tabs, using either nails or screws (not provided).
 - Additional framing or blocking may be desired for a more robust mounting.
 - Remove the appropriate wiring knockouts from the rough-in box to accommodate the cables being threaded through to the 19" or 20" Wall Mount Touch Panel.
 - Thread the incoming Ethernet and USB wiring through the knockouts. Using the left wiring knockouts for USB connector cables and the right wiring knockouts for the LAN/PoE In cable is very highly recommended with this installation. Leave enough slack in the wiring to accommodate installation of the docking station.
 - Install the drywall/sheetrock before inserting the back box for the CB-MSA-10.
 - Cut out the opening for the Wall Mount Touch Panel back box where the wall has been placed over the Rough-In Box. Cutting out the surface slightly smaller than what is outlined in the installation drawings, so that you can make any necessary cutout adjustments, is very highly recommended.
- NOTE:** The front cover of the CB-MSA-10 (**B** in FIG. 1) should be installed after the appropriate wiring is pulled to the Rough-In Box. The cover should then be removed prior to the installation of the touch panel back box and discarded. Do NOT discard the cover screws.
- Remove the matching knockouts on the touch panel's Back Box. Install the touch panel's Back Box into the opening, allowing the stand-ups for the cover screws to pass through the back of the Back Box. Secure the Back Box to the Rough-In Box with the cover screws, pass the touch panel's wiring through the Back Box knockouts, and install the touch panel.





For full warranty information, refer to the AMX Instruction Manual(s) associated with your Product(s).

