

DOUBLE WIDE SIZE BACK BOX
WITH SUPER POCKET BRACKETS

BRK1048BBXW



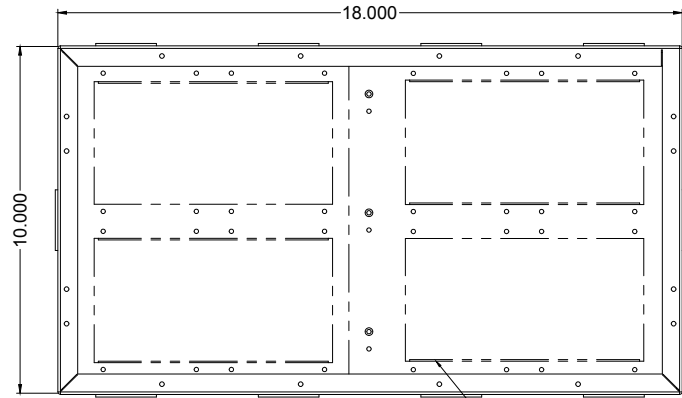
MATES WITH
HORIZONTAL
STYLE POCKET



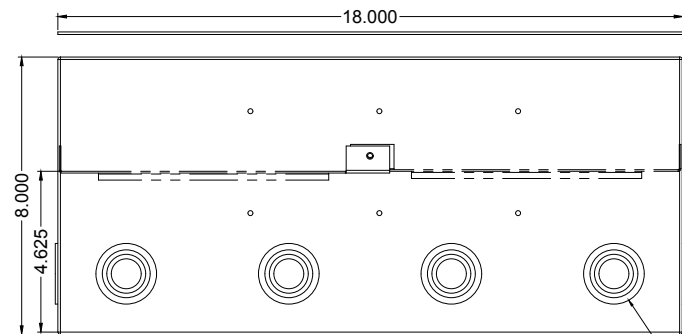
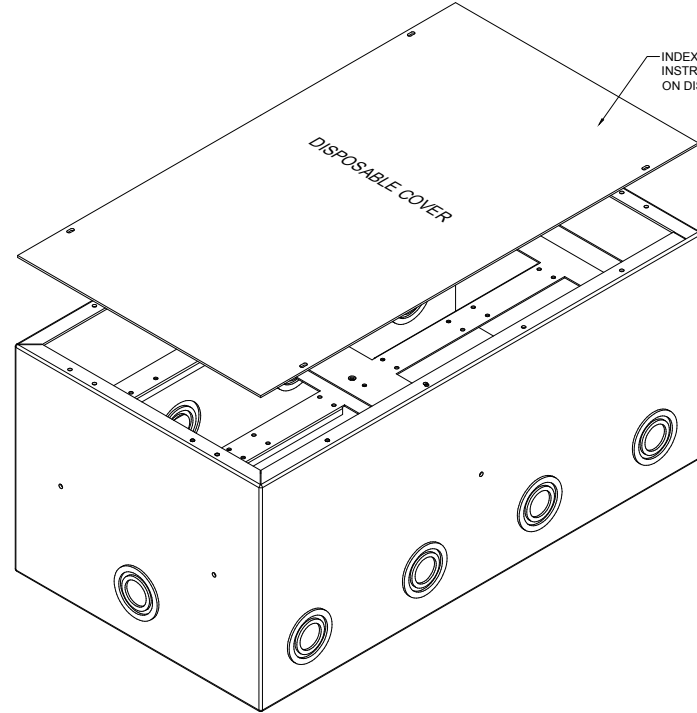
PROUDLY MADE
IN THE U.S.A.



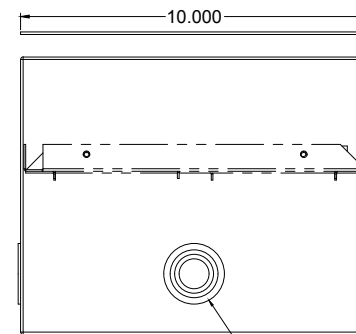
ACE BACKSTAGE CO
Stage Pocket Systems **Connectivity**
www.acebackstage.com



SUPER DOUBLE WIDE POCKET BRACKET KIT (BRK104)
16ga GALVANNEALED STEEL



1/2", 3/4", 1", AND 1-1/4" COMBINATION
KNOCKOUTS (4) PLACES TYPICAL ON
OPPOSING SIDES



1/2", 3/4", 1", AND 1-1/4" COMBINATION
KNOCKOUTS (1) PLACE TYPICAL ON
OPPOSING SIDES

REVISION: 11/2019

FINISH :

- ASTM Certified Electro Deposited Clear Zinc
- 1/16" Thick Polyurethane Jacket for moisture seal

COMPATIBLE POCKETS:

**Any Double Wide Size Bezel/Lid:
BZ134/BZ234/BZ334**

DESCRIPTION:

Polyurethane encapsulated Rough in Box with Super Double Wide Pocket Brackets. For use when installing Super Double Wide Pockets. Provides extra protection from incursion of moisture and water by sealing seams, knock-outs, and holes. Extra depth provides addition space behind and in front of panels. Made from 14ga CRS.

REV
1

SHEET

ALL DIMENSIONS ARE FOR REFERENCE
ONLY. ALL DIMENSIONS ARE IN INCHES