

FULL SIZE BACK BOX  
WITH SUPER POCKET BRACKETS

BRK102BBXW



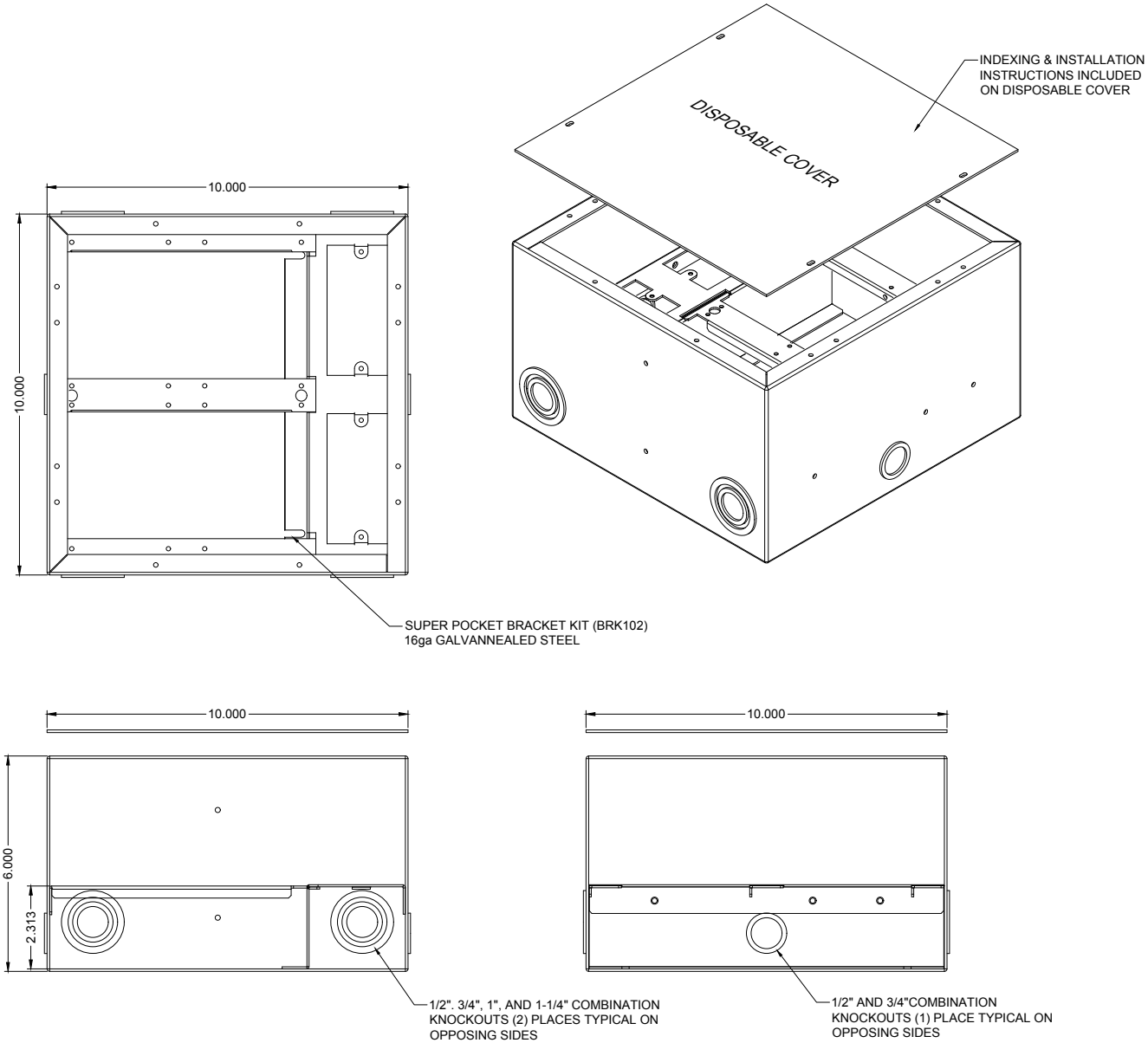
MATES WITH  
HORIZONTAL  
STYLE POCKET



PROUDLY MADE  
IN THE U.S.A.



**ACE BACKSTAGE CO**  
Stage Pocket Systems **Connectivity**  
www.acebackstage.com



REVISION: 11/2019

FINISH :

COMPATIBLE BEZELS/LIDS:

DESCRIPTION:

REV

1

ALL DIMENSIONS ARE FOR REFERENCE ONLY. ALL DIMENSIONS ARE IN INCHES

- ASTM Certified Electro Deposited Clear Zinc  
- 1/16" Thick Polyurethane Jacket for moisture seal

Any Full Size Bezel/Lid:  
BZ132/BZ232/BZ332

Polyurethane encapsulated Rough in Box with Super Pocket Brackets. For use when installing Super Pockets. Provides extra protection from incursion of moisture and water by sealing seams, knock-outs, and holes. Made from 14ga CRS.

SHEET  
1 OF 1