

FULL SIZE BACK BOX
WITH SUPER POCKET BRACKETS

BRK1028BBXW



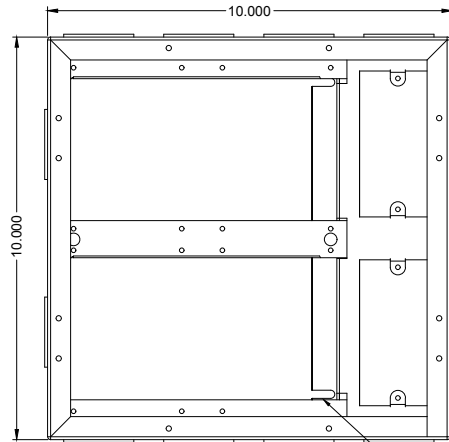
MATES WITH
HORIZONTAL
STYLE POCKET



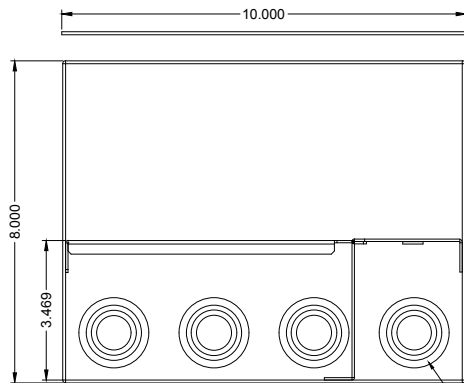
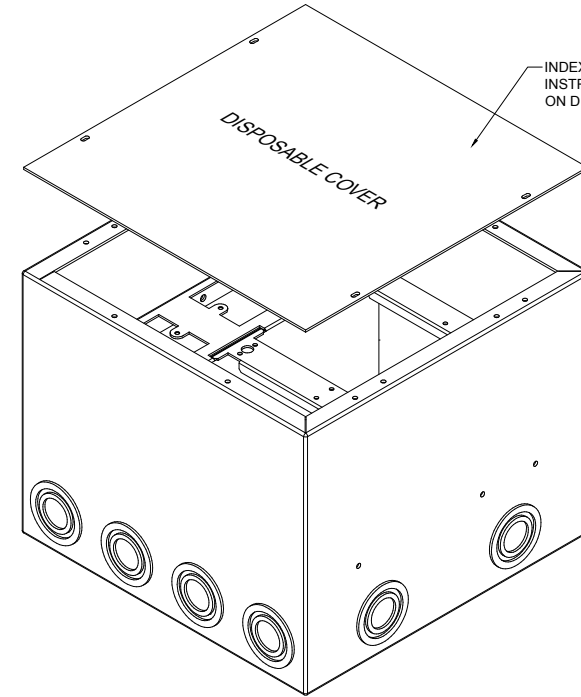
PROUDLY MADE
IN THE U.S.A.



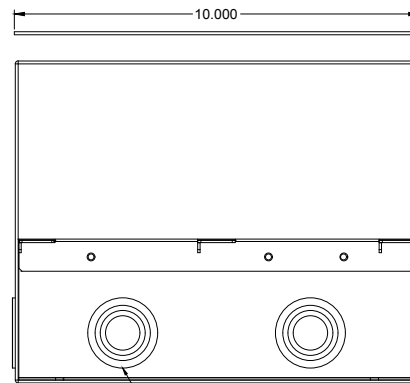
ACE BACKSTAGE CO
Stage Pocket Systems **Connectivity**
www.acebackstage.com



8" DEEP SUPER POCKET BRACKET KIT (BRK1028)
16ga GALVANNEALED STEEL



1/2", 3/4", 1", AND 1-1/4" COMBINATION
KNOCKOUTS (4) PLACES TYPICAL ON
OPPOSING SIDES



1/2", 3/4", 1", AND 1-1/4" COMBINATION
KNOCKOUTS (2) PLACES TYPICAL ON
ONE SIDE ONLY

REVISION: 11/2019

FINISH :

- ASTM Certified Electro Deposited Clear Zinc
- 1/16" Thick Polyurethane Jacket for moisture seal

COMPATIBLE POCKETS:

Any Full Size Bezel/Lid:
BZ132/BZ232/BZ332

DESCRIPTION:

Polyurethane encapsulated Rough in Box with Super Pocket Brackets. For use when installing Super Pockets. Provides extra protection from incursion of moisture and water by sealing seams, knock-outs, and holes. Extra depth provides addition space behind and in front of panels. Made from 14ga CRS.

REV
1

SHEET

ALL DIMENSIONS ARE FOR REFERENCE ONLY. ALL DIMENSIONS ARE IN INCHES