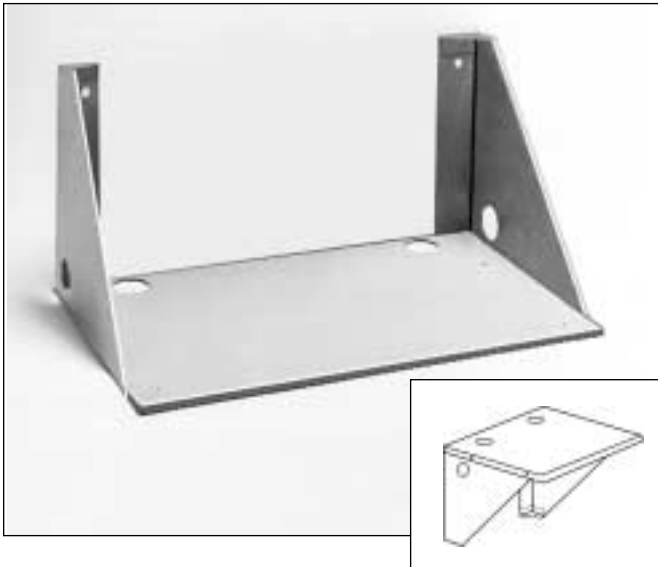




AS-120



AS-140

- Choose Welded or 3-Piece Shelf to Securely Wall Mount Electronic Components
- Sturdy 16-Gauge CRS Units Mount to 16" Wall Studs
- Includes Wire Access Holes to Safely Accommodate Cabling
- Offered in a Choice of Standard Colors

APPLICATION

Atlas Sound Model AS-120 and AS-140 wall mount shelves are perfect for limited-access of electronic equipment in convenience food stores, restaurants, audio/video control rooms, educational and institutional facilities, auditoriums, stadiums, or venues where the convenience of open access and wall mounting of equipment is desired. The shelves wall mount on 16" centers.

Typical installations include supporting VHS recorders, amplifiers, TV/video monitors, tuners, SCA receivers, computer CPU's or other electronic equipment that is not rack mountable, or does not require enclosure protection.

MODEL AS-120 The durable, welded shelf is constructed of 16-gauge CRS, and is equipped with four keyhole slots in the back panel (2 on top and 2 on bottom). Keyhole slots are evenly spaced on 16" centers for stud mounting to walls. Additionally, Model AS-120 features a 3/8" (10mm) front return to safely retain equipment and a total of four, 1 1/2" diameter holes for wiring access (2 on bottom and 1 per side panel). The shelf, which can support up to 100 pounds, has solid side panels for added aesthetics and protection. Models are available in a choice of standard colors.

MODEL AS-140 Versatile shelf may be mounted so that equipment is installed between side supports or inverted "bookshelf-style" for open equipment placement. The durable, three piece shelf is constructed of 16-gauge CRS, and is equipped with four mounting holes, evenly spaced on 16" centers for stud mounting to walls. For installation convenience, the bottom/top panel has a drilling template for marking the four mounting holes. Model AS-140 shelf is formed on four sides for rigidity, and has a total of four, 1 1/2" diameter holes for wiring access (2 on the bottom/top panel and 1 on each side panel). The shelf, which can support up to 150 pounds, has welded hanger gussets for extra strength. The AS-140 ships knocked-down for storage and shipping economies. It includes assembly hardware and is available in a choice of standard colors.

MODEL	DIMENSIONS	WEIGHT CAPACITY	MOUNTS	WEIGHT
AS-120	20" W x 12 1/2" D x 10" H (508 x 318 x 254mm)	100 lbs.	Wall Surface	8.75 lbs. (3.95 kg.)
AS-140	20" W x 17" D x 12 3/8" H (508 x 432 x 314mm)	150 lbs.	Wall Surface	14.5 lbs. (6.6 kg.)

Specifications subject to change without notice



1601 JACK MCKAY BLVD. / ENNIS, TEXAS 75119 U.S.A. / TELEPHONE: (800) 876-3333 / FAX (800) 765-3435

ARCHITECT & ENGINEER SPECIFICATIONS

The 20" wide wall mount shelf shall be Atlas Sound Model _____ (AS-120, AS-140) or approved equal. Shelf shall be constructed of 16-gauge CRS, _____ (AS-120: welded or AS-140: three piece bolt together with hardware), and include four mounting holes on 16" centers for stud mounting to a wall surface. Wire access shall be provided by two 1½" holes on shelf bottom and one

1½" hole on each side hanger. Weight capacity of the shelf shall be _____ (AS-120: 100 lbs., AS-140: 150 lbs.). The wall shelf shall be finished in _____ epoxy. Model AS-120 shall include a ¾" front return for equipment retention. Model AS-140 shall be formed on all four sides and include welded hanger gussets for versatile installation above or below side panel/hanger supports.

AS-120 MOUNTING REQUIREMENTS

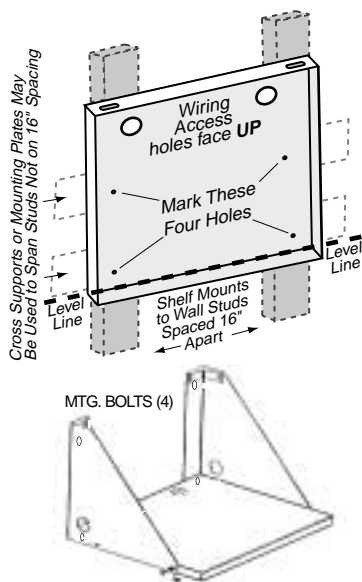
Note: the mounting holes are on 16" centers. If your wall does not have studs spaced 16" apart, install a solid cross support or mounting plate.

AS-140 ASSEMBLY AND MOUNTING INSTRUCTIONS

Note: the mounting holes are on 16" centers. If your wall does not have studs spaced 16" apart, install a solid cross support or mounting plate as shown below.

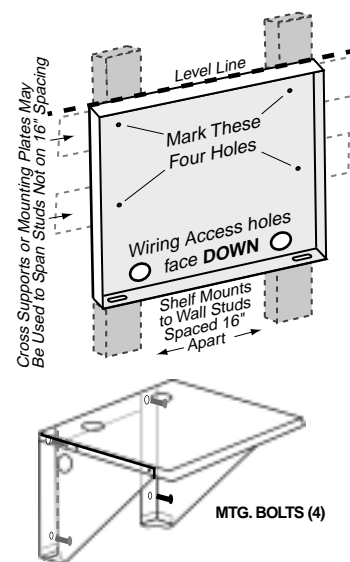
INSTALLATION FOR SHELF BELOW SUPPORTS

1. Determine location on the wall for the shelf top surface.
2. Add an additional ¾" (for the additional height of the shelf bottom) and make a level line.
3. Indicate and drill the four bracket holes using the template on the shelf bottom as indicated.
4. Bolt the hangers to shelf bottom with supplied 4 qty. 10–32 x ½" screws, nylon washers, and nuts.
5. Mount the assembled shelf to the wall using 4 screws or lag bolts (by others). Note: The bottom 2 bolts will go through both the shelf bottom and the side hangers.



INSTALLATION FOR SHELF ABOVE SUPPORTS

1. Determine location on the wall for the shelf top surface.
2. Indicate and drill the four holes using the template of the shelf top as indicated.
3. Bolt the hangers to shelf top with supplied 4 qty. 10–32 x ½" screws, nylon washers, and nuts.
4. Mount the assembled shelf to the wall using 4 screws or lag bolts (by others). Note: the top 2 bolts will go through both the shelf top and the side hangers.



Specifications subject to change without notice



1601 JACK MCKAY BLVD. / ENNIS, TEXAS 75119 U.S.A. / TELEPHONE: (800) 876-3333 / FAX (800) 765-3435