



ALFATRON ELECTRONICS GmbH GERMANY  
Alfatron ALF-SBUSB2C Videobar

### User Manual



Read this instruction carefully before using

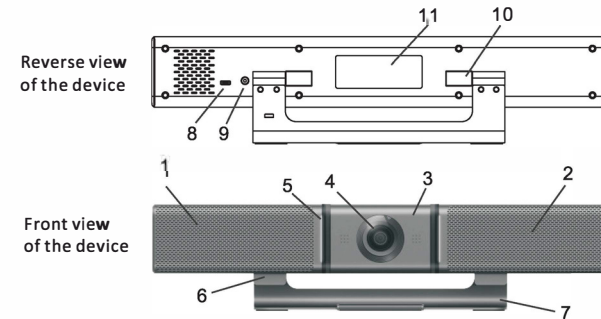
[www.alfatronelectronics.com](http://www.alfatronelectronics.com)

### Product overview

All in one Full HD 1080p conference videobar with multi-array microphone system and a 8w loudspeaker. Multi-position mounting system.



### Product View



- |                                 |                           |
|---------------------------------|---------------------------|
| 1 loudspeaker                   | 7 Rotatable support frame |
| 2 Multi-array microphone        | 8 Type-C interface        |
| 3 Multi-angle adjustable camera | 9 DC power input socket   |
| 4 Pick-up lens                  | 10 Support frame shaft    |
| 5 Status indicator              | 11 Equipment nameplate    |
| 6 Front registration mast       |                           |

P.1

### Packing List



Alfatron ALF-SBUSB2C Videobar X 1



DC power adapter X 1



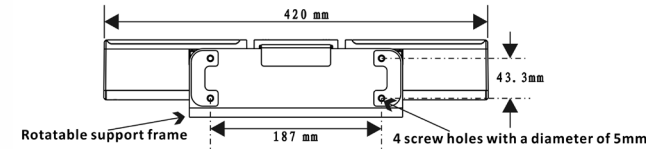
Type-C conversion cable X 1



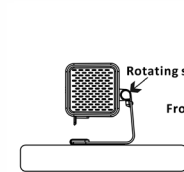
Operating manual X 1

### Equipment installation

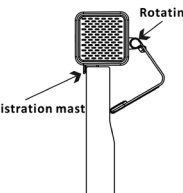
The videobar can be installed either below or at the top of the display screen. It is recommended that the installation height is in the visible range and roughly at the same horizontal plane of the human eye.



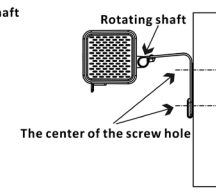
The size of the screw hole at the bottom of the support frame



Installation method I:  
The device is placed on a horizontal support



Installation method II:  
The device is placed at the top of the display



Installation method III:  
The device is screwed to the vertical plane

P.2

### Operating instructions

1. Open the product packaging, take out the videobar and accessories, and check the contents according to the packing lists.
2. The videobar can be installed as per the application.
3. First, insert the power plug of the DC power adapter into the DC power socket of the videobar. Then insert the power adapter into the socket of the AC power supply. At this time, the indicator light of the device will light up. Second, insert the Type-C plug of the Type-C cable into the corresponding socket of the device, and then insert the USB plug into the USB socket on the computer equipment.
4. When the device and the computer are connected, the device driver will be installed automatically. After the installation is successful, the computer screen will prompt that the device is ready, or the device can be used.
5. After the audio and video device drivers of the device are successfully installed, the application software (such as GoToMeeting, SKYPE, Teams) in the computer can be used. You can then adjust the setting of the meeting Room software setup the devices. Note: The device is suitable for computer devices with the operation system of Windows7 /8/10.

### Precautions

1. Multiple acoustic speaker devices cannot be connected at the same time on a computer.
2. It is required to connect the data cable of the USB interface directly to the computer. If it is connected through a USB hub, some operational problems may occur.
3. To check if the audio and video device driver of the device is connected successfully, open the hardware option of "Computer Properties" on the computer, click "Device Manager" and then click "Sound Video and Game Controller" to check whether there is a device model of the native audio device; Select "Image Device" to see if there has a device model of the native camera. For further review, check whether the "Native Device Model" is showed on the default device in the option of Playback (Output) and Record (Input) in the Sound and Audio Device Properties of the Computer Control Panel Options. Otherwise, re-select the native device model and confirm it.
4. While using the videobar, the volume can be adjusted through the speaker option on the computer if necessary. When using the application software of the instant messenger or audio and video network, select this one as the preferred audio and video device.
5. Please do not attempt to repair the device as there is a risk of electric shock. If there is a problem that needs to repair, please contact your dealer.

P.3

1. Limited warranty in respect of Alfatron Products Only  
1.1 This limited warranty covers defects in materials and workmanship in this product.  
1.2 Should warranty service be required, proof of purchase must be presented to the Company. The serial number on the product must be clearly visible and not have been tampered with in any way whatsoever.  
1.3 This limited warranty does not cover any damage, deterioration or malfunction resulting from any alteration, modification, improper or un reasonable use or maintenance, misuse, abuse, accident, neglect, exposure to excess moisture, fire, improper packing and shipping (such claims must be presented to the carrier), lightning, power surges, or other acts of nature. This limited warranty does not cover any damage, deterioration or malfunction resulting from the installation or removal of this product from any installation, any unauthorized tampering with this product, any repairs attempted by anyone unauthorized by the Company to make such repairs, or any other cause which does not relate directly to a defect in materials and/or workmanship of this product. This limited warranty does not cover equipment enclosures, cables or accessories used in conjunction with this product. This limited warranty does not cover the cost of normal maintenance. Failure of the product due to insufficient or improper maintenance is not covered.  
1.4 The Company does not warrant that the product covered hereby, including, without limitation, the technology and/or integrated circuit(s) included in the product, will not become obsolete or that such items are or will remain compatible with any other product or technology with which the product may be used.  
1.5 Only the original purchaser of this product is covered under this limited warranty. This limited warranty is not transferable to subsequent purchasers or owners of this product.  
1.6 Unless otherwise specified, the goods are warranted in accordance with the manufacturer's product specific warranties against any defect attributable to faulty workmanship or materials, fair wear and tear being excluded.  
1.7 This limited warranty only covers the cost of faulty goods and does not include the cost of labor and travel to return the goods to the Company's premises.  
1.8 In the event of any improper maintenance, repair or service being carried out by any third persons during the warranty period without the Company's written authorization, the limited warranty shall be void.  
1.9 A 7 (seven) year limited warranty is given on the aforesaid product where used correctly according to the Company's instructions, and only with the use of the Company's components.  
1.10 The Company will, at its sole option, provide one of the following three remedies to whatever extent it shall deem necessary to satisfy a proper claim under this limited warranty:

P.5

1.10.1 Elect to repair or facilitate the repair of any defective parts within a reasonable period of time, free of any charge for the necessary parts and labour to complete the repair and restore this product to its proper operating condition.; or  
1.10.2 Replace this product with a direct replacement or with a similar product deemed by the Company to perform substantially the same function as the original product; or  
1.10.3 Issue a refund of the original purchase price less depreciation to be determined based on the age of the product at the time remedy is sought under this limited warranty.  
1.11 The Company is not obligated to provide the Customer with a substitute unit during the limited warranty period or at any time thereafter.  
1.12 If this product is returned to the Company this product must be insured during shipment, with the insurance and shipping charges prepaid by the Customer. If this product is returned uninsured, the Customer assumes all risks of loss or damage during shipment. The Company will not be responsible for any costs related to the removal or re-installation of this product from or into any installation. The Company will not be responsible for any costs related to any setting up this product, any adjustment of user controls or any programming required for a specific installation of this product.  
1.13 Please be aware that the Company's products and components have not been tested with competitor's products and therefore the Company cannot warrant products and/or components used in conjunction with competitor's products.  
1.14 The appropriateness of the goods for the purpose intended is only warranted to the extent that the goods are used in accordance with the Company's installation, classification and usage instructions.  
1.15 Any claim by the Customer which is based on any defect in the quality or condition of the goods or their failure to correspond with specification shall be notified in writing to the Company within 7 days of deliver or (where the defect or failure was not apparent on reasonable inspection by the Customer) within a reasonable time after discovery of the defect or failure, but, in any event, within 6 months of delivery.  
1.16 If delivery is not refused, and the Customer does not notify the Company accordingly, the Customer may not reject the goods and the Company shall have no liability and the Customer shall pay the price as if the goods had been delivered in accordance with the Agreement.  
1.17 THE MAXIMUM LIABILITY OF THE COMPANY UNDER THIS LIMITED WARRANTY SHALL NOT EXCEED THE ACTUAL PURCHASE PRICE PAID FOR THE PRODUCT.

P.6