

AL-MAGPIE
Wireless Infrared Microphone

1601 Jack McKay Blvd. • Ennis, Texas 75119 U.S.A.

Telephone: 800.876.3333 • Fax: 800.765.3435

Table of Contents

Important Safety Instructions	3
Introduction	7
Features	7
Applications	7
AL-MAGPIE Wireless Microphone Description.....	8
AL-MAGPIE-NEST Charging Station Description	10
Functions	11
Specifications	12
Warranty	14

Important Safety Instructions



The lightning flash with arrowhead symbol within an equilateral triangle, is intended to alert the user to the presence of uninsulated "dangerous voltage" within the product's enclosure that may be of sufficient magnitude to constitute a risk of electric shock to persons.



The exclamation point within an equilateral triangle is intended to alert the user to the presence of important operating and maintenance (servicing) instructions in the literature accompanying the product.

1. Read these instructions.
2. Keep these instructions.
3. Heed all warnings.
4. Follow all instructions.
5. Do not use this device near water.
6. Clean only with dry cloth.
7. Do not block any ventilation openings. Install in accordance with the manufacturer's instructions.
8. Do not install near any heat sources such as radiators, heat registers, stoves, or other devices (including amplifiers) that produce heat.
9. Do not defeat the safety purpose of the polarized or grounding-type plug. A polarized plug has two blades with one wider than the other. A grounding type plug has two blades and a third grounding prong. The wide blade or the third prong are provided for your safety. If the provided plug does not fit into your outlet, consult an electrician for replacement of the obsolete outlet.
10. Protect the power cord from being walked on or pinched particularly at plugs, convenience receptacles, and the point where they exit from the device.
11. Only use attachments/accessories specified by the manufacturer.
12. Use only with the cart, stand, tripod, bracket, or table specified by the manufacturer, or sold with the device. When a cart is used use caution

when moving the cart/device combination to avoid injury from tip-over.

13. Unplug this device during lightning storms or when unused for long periods of time.
14. Refer all servicing to qualified service personnel. Servicing is required when the device has been damaged in any way, such as power-supply cord or plug is damaged, liquid has been spilled, or objects have fallen into the device, the device has been exposed to rain or moisture, does not operate normally, or has been dropped.
15. **WARNING:** To reduce the risk of fire or electric shock, this device should not be exposed to rain or moisture and objects filled with liquids, such as a vase, should not be placed on this device.
16. To completely disconnect this equipment from the mains, disconnect the power supply cord plug from the receptacle.
17. The mains plug of the power supply cord shall remain readily operable.

CAUTION – When Installing the Product

- Plugging in or unplugging the power cord with wet hands may result in electric shock.
- Never move the device with the power cord plugged into the wall, as damage to the power cord may result.
- When unplugging the cord from the wall, grasp the plug, NOT the cord.
- Never install this device in humid or dusty locations, nor in direct sunlight, near sources of heat, or in areas where sooty smoke or steam are present. Fire and electric shock may result.
- Keep all sides of the device at least 3½" away from objects that may obstruct air flow to prevent the unit's internal temperature rise.



WARNING – When the Device is in Use

- To prevent electric shock, do not remove the device cover as there are high voltage components inside. Refer all servicing to Atlas Sound.
- Should any of the following irregularities occur during use, immediately switch off the power, disconnect the power cord from the AC outlet and contact Atlas Sound. Do not attempt to continue operation with the device as this may cause fire or electric shock:
 - Smoke or strange smell coming from the unit.
 - If the device falls or the case is damaged.
 - If water or any metallic objects falls into the device.
 - If the power supply cord is damaged in any way.
 - If the device is malfunctioning.
- Do not insert or drop metallic objects or flammable materials into the ventilation holes of the device's cover, as this may result in electric shock or fire.
- Do not place any containers with liquid or metallic objects on the top of the device.
If any liquid spills into the unit, fire or electric shock may result.
- Never operate this device or touch the power supply cord during an electrical storm, electric shock may result.
- Never exceed the wattage on the product when connecting equipment. Fire and/or property damage may result.
- Operate the device only with the voltage specified on the unit. Fire and/or electric shock may result if a higher voltage is used.
- Do not modify, kink, or cut the power cord. Do not place the power cord in close proximity to heaters and do not place heavy objects on the power cord, including the device itself, doing so may result in fire or electrical shock.

- Ensure that the safety ground terminal is connected to a proper ground. Never connect the ground to a gas pipe as a catastrophic disaster may result.
- Be sure the installation of the product is stable, avoid slanted surfaces as the product may fall and cause injury or property damage.



CAUTION – When the Device is in Use

- Never place heavy objects on the product, causing it to fall and/or break, resulting in personal injury and property damage. In addition, the product itself may fall and cause injury and property damage.
- Contact Atlas Sound for instructions on cleaning the inside of the unit. Large accumulations of dust inside the unit may result in heat buildup and fire.
- Ensure that the power supply plug is securely plugged into the wall outlet. Never allow dust to accumulate on the power plug or inside the wall outlet.
- When cleaning the unit or the unit is not to be operated for an extended time period, unplug power cord from the wall.



Introduction

Congratulations and thank you for purchasing the Atlas Sound Model AL-MAGPIE Wireless Infrared Microphone. This innovative, professional grade microphone has been designed to include unique features and excellent performance that is required for delivering clear and concise audio through Amplified Learning.

Features

- Provides Excellent Infrared Wireless Sound Reinforcement
- Keeps Teachers' Voices Healthy and Sustainable
- Patent Pending Design
- Unique Handheld / Lanyard / Transmitter Microphone
- Microphone Volume Controlled via Transmitter

Applications

The Atlas Learn AL-MAGPIE is an in-classroom sound reinforcement solution designed for use in K-12 and higher education facilities or where a room constrained public address system is required. When used in conjunction with the AL-2430, amplifier/receiver, it allows the teacher and students to walk freely around the room with the infrared microphones / system control units and project their voices through installed speakers.

AL-MAGPIE Wireless Microphone Description

1. Microphone

High quality internal microphone is used when the unit is in the handheld or lapel configuration.

2. IR LEDs

This cluster of IR LEDs ensure quality communications with an AL-IRDS infrared receiver.

3. Power LED

Displays the battery power of the AL-MAGPIE.

Blue indicates Good battery power.

Red indicates Low battery power.

Off indicates the Microphone is turned off.

4. IR Channel Switch

This slide switch sets the microphone channel to "A" or "B".

5. Lockout Switch

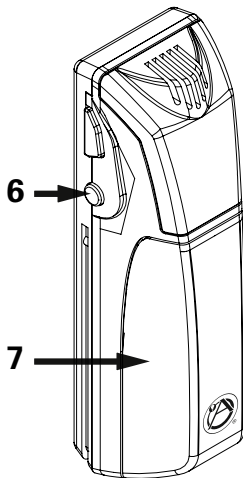
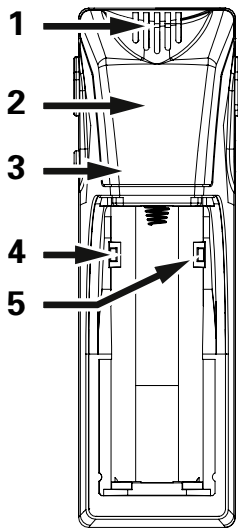
When this switch is set to the Lockout mode the unit works as a microphone only, no operation buttons function. Also referred to as "Student Mode".

6. Power Button

When the AL-MAGPIE is Off holding this button for 3 seconds will turn the unit On. In the On mode holding this button for 3 seconds will turn the unit Off.

7. Battery Cover

Conceals one rechargeable battery, IR channel switch and Lockout mode switch.



AL-MAGPIE Wireless Microphone Description

8. Panic Button

When both red buttons are pressed simultaneously, a signal is sent to the AL2430 Receiver / Amplifier to close the "Panic" relay that sends a message to an external source, like a school's paging system.

9. Headset Microphone Input

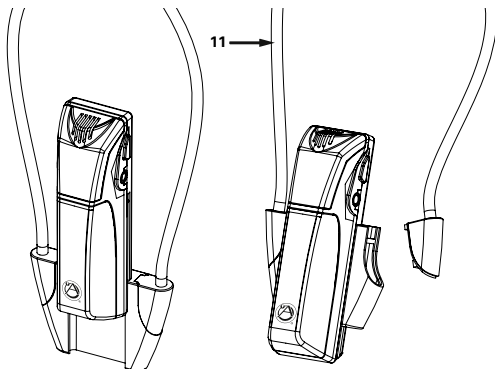
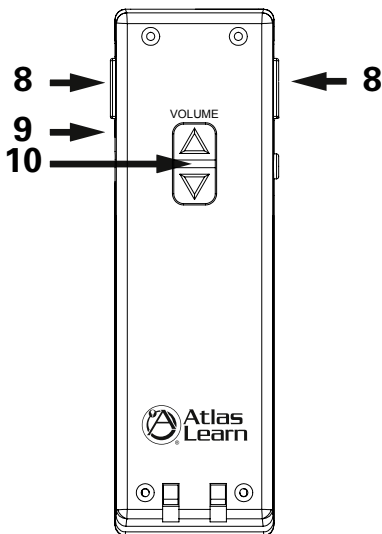
3.5mm jack for connection of the optional AL-HSM headset microphone. When connected the internal microphone is disabled.

10. Volume Button

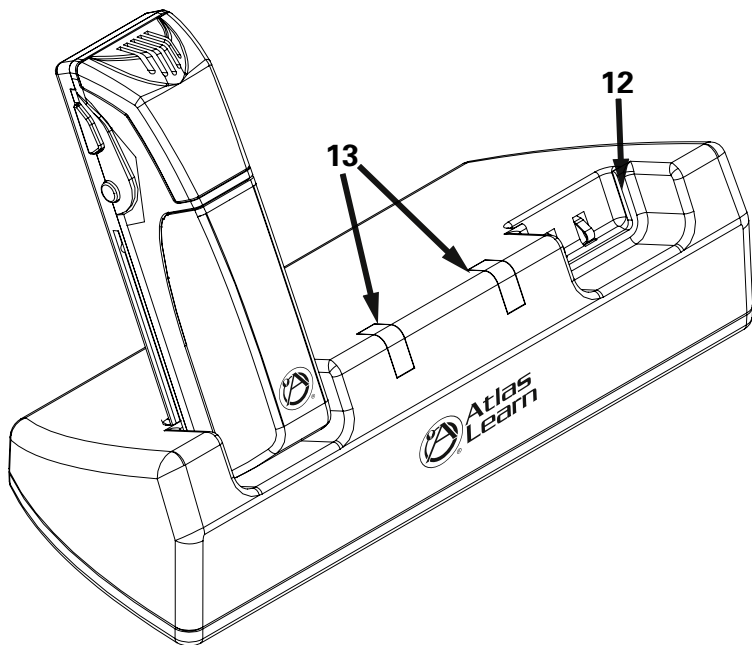
Depressing the UP or DOWN button will raise or lower the microphone volume.

11. Lanyard

Included Lanyard for a lapel configuration.



AL-MAGPIE-NEST Charging Station Description



12. Microphone Charging Receptacles

Holds the Microphones in place while charging.

13. Microphone Charging LEDs

These LEDs indicate the current charging status of each receptacle:

Red = Charging,

Green = Charged.

Atlas Learn System Function Description

The versatile AL-MAGPIE microphone performs the functions of a wireless microphone and a microphone volume control. It can be used as a Handheld Microphone, a Lapel Microphone with included Lanyard (AL-LANYARD), or a Belt Pack Microphone with optional AL-HSM headset. Each AL-MAGPIE has a switch located under the battery door used to set its IR Channel to either A or B. One AL-MAGPIE must be set to Channel A and the other AL-MAGPIE must be set to Channel B. The system will not function properly if there are two AL-MAGPIEs set to the same IR channel.

Also located under the battery door is the LOCKOUT switch. When this is engaged all function buttons are disabled and the unit can be used as a microphone only.

The Power button needs to be pressed for three seconds to turn the unit On or Off.

When the two Panic buttons are pressed simultaneously, a signal is sent to the AL2430 Receiver / Amplifier. This closes its Panic Output relay. The Panic Output relay can be connected to an external system, for example: the school's Paging / Intercom system to alert someone of an event in the classroom that requires immediate attention.

AL-MAGPIE Microphone Specifications

IR Led's	6
Aux Input	1, 3.5mm Phono Jack, Mic Level
External Controls	Power, Panic, Mic Volume
Internal Controls	Lockout, Mic A/B Channel
Dimensions	1.15" x 1" x 3.8" (29mm x 25mm x 97mm)
Weight With Battery	.14lb (65g)
Weight Without Battery	.08lb (36g)



AL-MAGPIE-NEST Charging Station

AL-MAGPIE Ports	Two Charging Ports
Charge Indicator LED's	Two Charge Indicator LEDs
PSU Type	100VAC – 240VAC, 50/60Hz, 0.2A, 5VDC, 1A
Dimensions	1¾" x 6½" x 2¾" (45mm x 165mm x 70mm)

Limited Warranty

All products manufactured by Atlas Sound are warranted to the original dealer/installer, industrial or commercial purchaser to be free from defects in material and workmanship and to be in compliance with our published specifications, if any. This warranty shall extend from the date of purchase for a period of three years on all Atlas Sound products, including SOUNDOLIER brand, and ATLAS SOUND brand products except as follows: one year on electronics and control systems; one year on replacement parts; and one year on Musician Series stands and related accessories. Additionally, fuses and lamps carry no warranty. Atlas Sound will solely at its discretion, replace at no charge or repair free of charge defective parts or products when the product has been applied and used in accordance with our published operation and installation instructions. We will not be responsible for defects caused by improper storage, misuse (including failure to provide reasonable and necessary maintenance), accident, abnormal atmospheres, water immersion, lightning discharge, or malfunctions when products have been modified or operated in excess of rated power, altered, serviced or installed in other than a workman like manner. The original sales invoice should be retained as evidence of purchase under the terms of this warranty. All warranty returns must comply with our returns policy set forth below. When products returned to Atlas Sound do not qualify for repair or replacement under our warranty, repairs may be performed at prevailing costs for material and labor unless there is included with the returned product(s) a written request for an estimate of repair costs before any nonwarranty work is performed. In the event of replacement or upon completion of repairs, return shipment will be made with the transportation charges collect.



Limited Warranty (Continued)

EXCEPT TO THE EXTENT THAT APPLICABLE LAW PREVENTS THE LIMITATION OF CONSEQUENTIAL DAMAGES FOR PERSONAL INJURY, ATLAS SOUND SHALL NOT BE LIABLE IN TORT OR CONTRACT FOR ANY DIRECT, CONSEQUENTIAL OR INCIDENTAL LOSS OR DAMAGE ARISING OUT OF THE INSTALLATION, USE OR INABILITY TO USE THE PRODUCTS. THE ABOVE WARRANTY IS IN LIEU OF ALL OTHER WARRANTIES INCLUDING BUT NOT LIMITED TO WARRANTIES OF MERCHANTABILITY AND FITNESS FOR A PARTICULAR PURPOSE.

Atlas Sound does not assume, or does it authorize any other person to assume or extend on its behalf, any other warranty, obligation, or liability. This warranty gives you specific legal rights and you may have other rights which vary from state to state.



Should your Atlas Learn Product require service,
please contact the Atlas Sound warranty department at
1-866-689-8055, ext. 277 to obtain an RA number.

Atlas Sound Tech Support can be reached at 1-800-876-3333.

Visit our website at www.AtlasSound.com to see other Atlas products.

©2012 Atlas Sound L.P. All rights reserved. Atlas Sound and Atlas Learn are trademarks of Atlas Sound L.P.
All other trademarks are the property of their respective owners. ATS004078 RevB 4/12

*Specifications are subject to
change without notice.*

