



AA30PHD
30W Mixer Amplifier



1601 Jack McKay Blvd. • Ennis, Texas 75119 U.S.A.
Telephone: 800.876.3333 • Fax: 800.765.3435



AA30PHD
30W Mixer Amplifier

Owner's Manual

Table of Contents

Important Safety Instructions..... 3

Introduction 5

Key Features 5

Applications 5

Front Panel Description..... 6

Rear Panel Description..... 7

PHD Diagnostic System Test..... 9

Common Amplifier Failure Conditions 9

Trouble Shooting the Fault LED 11

How to Calculate Load Impedance 11

Wiring the AA30PHD 11

Level Control Security Cover Option 12

Block Diagram 13

Specifications 14

Warranty..... 16



1601 Jack McKay Blvd. • Ennis, Texas 75119 U.S.A.
Telephone: 800.876.3333 • Fax: 800.765.3435



Important Safety Instructions



The lightning flash with arrowhead symbol within an equilateral triangle, is intended to alert the user to the presence of uninsulated "dangerous voltage" within the product's enclosure that may be of sufficient magnitude to constitute a risk of electric shock to persons.



The exclamation point within an equilateral triangle is intended to alert the user to the presence of important operating and maintenance (servicing) instructions in the literature accompanying the product.



1. Read these instructions.
2. Keep these instructions.
3. Heed all warnings.
4. Follow all instructions.
5. Do not use this device near water.
6. Clean only with dry cloth.
7. Do not block any ventilation openings. Install in accordance with the manufacturer's instructions.
8. Do not install near any heat sources such as radiators, heat registers, stoves, or other device (including amplifiers) that produce heat.
9. Do not defeat the safety purpose of the polarized or grounding-type plug. A polarized plug has two blades with one wider than the other. A grounding type plug has two blades and a third grounding prong. The wide blade or the third prong are provided for your safety. If the provided plug does not fit into your outlet, consult an electrician for replacement of the obsolete outlet.
10. Protect the power cord from being walked on or pinched particularly at plugs, convenience receptacles, and the point where they exit from the device.
11. Only use attachments/accessories specified by the manufacturer.
12. Use only with the cart, stand, tripod, bracket, or table specified by the manufacturer, or sold with the device. When a cart is used, use caution when moving the cart/device combination to avoid injury from tip-over.
13. Unplug this device during lightning storms or when unused for long periods of time.
14. Refer all servicing to qualified service personnel. Servicing is required when the device has been damaged in any way, such as power-supply cord or plug is damaged, liquid has been spilled, or objects have fallen into the device, the device has been exposed to rain or moisture, does not operate normally, or has been dropped.
15. **WARNING:** To reduce the risk of fire or electric shock, do not expose this apparatus to rain or moisture.
Avertissement: pour réduire le risque d'incendie ou de choc électrique, ne pas exposer cet appareil sous la pluie et l'humidité.
16. The apparatus shall not be exposed to dripping or splashing and no objects filled with liquids, such as vases, shall be placed on apparatus.
L'appareil ne doit pas être exposé aux écoulements ou aux éclaboussures et aucun objet ne contenant de liquide, tel qu'un vase, ne doit être placé sur l'objet.
17. The mains plug is used as a disconnect device. The mains plug of the apparatus should not be obstructed OR should be easily accessed during intended use. To completely disconnect the power input, the mains plug of apparatus shall be disconnected from the mains.
La prise du secteur est utilisé pour déconnecter le système. La prise du secteur ne doit pas être obstruée ou doit être facilement accessible pendant son utilisation. Pour être complètement déconnecté de l'alimentation d'entrée, la prise doit être débranchée du secteur.
18. This product shall be connected to a mains socket outlet with a protective earthing connection.
Cet appareil doit être connecté à une prise électrique dotée d'une mise à la terre.



1601 Jack McKay Blvd. • Ennis, Texas 75119 U.S.A.
Telephone: 800.876.3333 • Fax: 800.765.3435



AA30PHD **30W Mixer Amplifier**

Owner's Manual



WARNING When The Device Is In Use

- To prevent electric shock, do not remove the product cover as there are high voltage components inside. Refer all servicing to Atlas Sound.
- Should any of the following irregularities occur during use, immediately switch off the power, disconnect the power cord from the AC outlet and contact Atlas Sound. Do not attempt to continue operation with the product as this may cause fire or electric shock:
 - Smoke or strange smell coming from the unit.
 - If the product falls or the case is damaged.
 - If water or any metallic objects falls into the product.
 - If the power supply cord is damaged in any way.
 - If the unit is malfunctioning.
- Do not insert or drop metallic objects or flammable materials into the ventilation holes of the product's cover, as this may result in electric shock or fire.
- Do not place any containers with liquid or metallic objects on the top of the product. If any liquid spills into the unit, fire or electric shock may result.
- Never operate this product or touch the power supply cord during an electrical storm, electric shock may result.
- Never exceed the power rating on the product when connecting equipment. Fire and/or property damage may result.
- Operate the product only with the voltage specified on the unit. Fire and/or electric shock may result if a higher voltage is used.
- Do not modify, kink, or cut the power cord. Do not place the power cord in close proximity to heaters and do not place heavy objects on the power cord, including the product itself, doing so may result in fire or electrical shock.
- Ensure that the safety ground terminal is connected to a proper ground. Never connect the ground to a gas pipe as a catastrophic disaster may result.
- Be sure the installation of the product is stable, avoid slanted surfaces as the product may fall and cause injury or property damage.



CAUTION When Installing The Product

- Plugging in or unplugging the power cord with wet hands may result in electric shock.
- Never move the unit with the power cord plugged into the wall, as damage to the power cord may result.
- When unplugging the cord from the wall, grasp the plug, NOT the cord.
- Never install this product in humid or dusty locations, nor in direct sunlight, near sources of heat, or in areas where sooty smoke or steam are present. Fire and electric shock may result.
- Keep all sides of the unit at least 3½" away from objects that may obstruct air flow to prevent the unit's internal temperature rise.



CAUTION When The Product Is In Use

- Never place heavy objects on the product, causing it to fall and/or break, resulting in personal injury and property damage. In addition, the product itself may fall and cause injury and property damage.
- Contact Atlas Sound for instructions on cleaning the inside of the unit. Large accumulations of dust inside the unit may result in heat buildup and fire.
- Ensure that the power supply plug is securely plugged into the wall outlet. Never allow dust to accumulate on the power plug or inside the wall outlet.
- When cleaning the unit or the unit is not to be operated for an extended period, unplug the power cord from the wall.



1601 Jack McKay Blvd. • Ennis, Texas 75119 U.S.A.
Telephone: 800.876.3333 • Fax: 800.765.3435



Introduction

Congratulations and thank you for purchasing the Atlas Sound AA30PHD 3 Input Mixer Amplifier. This new and innovative professional grade product has been designed from the ground up to include the important features that professional installation personnel require to meet or exceed their customer's expectations. Small, compact, and engineered for reliability, the Atlas Sound AA30PHD will provide years of service and flexibility in background music and paging applications.

Key Features

- 30W Into 25V/70.7V and 4Ω Loads
- Automated Diagnostic System Test (Push Here Diagnostic)
- Balanced Mic/Line/Tel Input w/ Phantom Power
- Two Unbalanced, Summing Line Level Inputs
- Amp In for External Processors
- Variable Mute Sensitivity Control for Input 1
- Contact Closure Mute Terminals
- Rear Mounted DIP switch Allows Mute Receive for Inputs 2 and 3

Applications

The Atlas Sound AA30PHD is the perfect choice for distributed business paging and background music (BGM) systems, small to medium speech privacy systems, and in applications where music on hold (MOH) plus paging is required.



1601 Jack McKay Blvd. • Ennis, Texas 75119 U.S.A.
Telephone: 800.876.3333 • Fax: 800.765.3435



Front Panel



1. Power Switch

This push switch (On/Off) supplies power to the mixer amplifier.

2. Power Indicator

This LED illuminates Blue when the power switch is turned On.

3. Signal Indicator

When the signal LED illuminates Green, input signals are connected to the amplifier. The Signal LED is PRE the input level controls.

4. Peak Indicator

The AAPHD Series amplifier has an input signal peak limiter located between the preamp mixer stage and the power amplifier stage. This input signal peak limiter is designed to prevent the amplifier from being over driven by excess input signals that may cause damage to the amplifier. If the amplifier preamp stage senses excessive input signal, the peak limiter will engage reducing the signal and the Peak LED will illuminate Red. An occasional flash of the LED is OK. If ON steady state; turn the associated level control down until the Peak LED turns OFF. It may be necessary to reduce the signal level at the input of the amplifier.

5. Limit Indicator

This LED serves two functions:

- A. PHD Test Circuit Load Fault Indicator** - When testing the system using the PHD feature for proper wiring and amplifier loading, this LED will illuminate Yellow if a fault is sensed in the audio speaker system. See "Using the PHD Load Impedance Testing System."
- B. Excessive Current Draw Limit Indicator** - Will illuminate Yellow when the amplifier is consuming excessive current. At that point, a current limiting circuit is activated, reducing the output power to prevent damage to the amplifier. The most likely cause for the fault is an incorrect load impedance connected to the amplifier. The LED should not come on if a proper load is applied. If the Limit LED is illuminating, use the PHD Load Impedance test explained in the manual to help troubleshoot the cause of the problem. **Note:** An occasional LED flash is okay. When LED is ON audible distortion may be heard at the speakers.

6. PHD Switch

The AAPHD Series features a patent pending Amplifier Diagnostic System. The PHD (Push Here Diagnostic) is simple to use and very effective in testing the speaker wiring and load impedances on 70V speaker systems to assure the proper load is applied to the amplifier. Please read the section on "Using the PHD Feature" before activating the circuit. To activate the PHD circuit a small tool with a point will be required to access the momentary switch through the hole on the front panel. See "Using the PHD Mixer Amplifier Load Impedance Testing System."



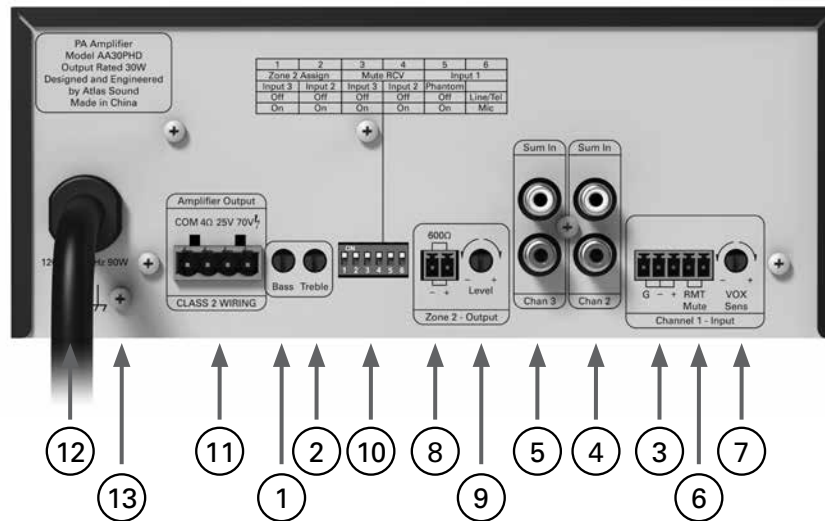


Front Panel

7. Input 1-3 Level

The rotary control varies the amplitude of the signal fed to the amplifier input. Turn clockwise to increase and counter-clockwise to decrease the signal level.

Rear Panel



1. Bass Control

Normally set at the 12:00 position, rotating clockwise will increase (boost) bass frequencies to a maximum of +6dB at 100Hz. Rotating counter-clockwise from the 12:00 position will decrease (cut) bass frequencies to a maximum of -6dB at 100Hz.

2. Treble Control

Normally set at the 12:00 position, rotating clockwise will increase (boost) treble frequencies by +6dB at 10kHz. Rotating counter-clockwise from the 12:00 position will decrease (cut) treble frequencies by -6dB at 10kHz.

3. Input 1

Balanced Microphone or Line level signals connect to the (+), (-), and (G) terminals. To select between Mic or Line input levels, refer to the DIP switch chart on the rear of the amplifier for feature assignment. If connecting an unbalanced line level input, tie (short) the (G) and (-) terminals together for negative or ground connection and the positive or (+) signal to the (+) terminal on the amplifier input. If the input is used in Mic mode, Phantom power for condenser type microphones is available in the DIP switch settings on the rear panel. Input 1 level control located on the front panel adjusts the levels to the amplifier mix.

4. Input 2

Input 2 consists of RCA stereo summing inputs, suitable for connection to the output of CD/DVD players, etc.

5. Input 3

Input 3 consists of RCA stereo summing inputs, suitable for connection to the output of CD/DVD players, etc.

6. Remote Mute Connector

Shorting the Remote Mute terminals, (G) to (M), will mute the inputs that are assigned to receive the mute command. When an input is set to Mute Receive via the corresponding DIP switch, the input associated to the switch will be muted when terminals (G) and (M) are shorted together. This connection is usually done via remote switch on a microphone. Input 1 cannot be muted.



1601 Jack McKay Blvd. • Ennis, Texas 75119 U.S.A.
Telephone: 800.876.3333 • Fax: 800.765.3435



Rear Panel

7. VOX Mute Sensitivity Control

Input 1 signal can be used to trigger or activate a mute command. When an input is set to Mute Receive via the corresponding DIP switch, the input associated to the switch will be muted when a signal is applied to Input 1. The VOX Mute Sensitivity Control adjusts how sensitive the mute circuitry from Input 1 reacts. Setting the control fully counter-clockwise will lower the sensitivity, where a higher amplitude signal will be required at Input 1 to trigger the mute send circuits. Fully clockwise will raise the sensitivity of the mute circuits, where a lower amplitude signal will trigger a mute send. Calibration of this control in conjunction with the microphone to be used is very important to assure the proper amount of signal from the mic is enough to trigger the mute circuits. If it is not calibrated properly, the mute may not be triggered when a weak voice vs a strong voice uses the mic.

8. Zone 2 Output Port

This terminal provides a 600Ω unbalanced output that is typically connected to a PBX music on hold port, also known as MOH. Inputs are assigned to the Zone 2 bus via switch associated with the input. **Note:** 10kΩ output impedance is available via the internal shunt selection.

9. Zone 2 Output Level Control

This control will vary the level at the Zone 2 output terminals. Fully counter-clockwise (0) is Off, fully clockwise (10) is the maximum output level. The Zone 2 level control is PRE Inputs 1, 2, 3 and 4 volume controls.

10. Multi Function DIP switch

Understanding the functionality of the DIP switches is key to maximizing the versatility of the AAPHD Series. When a switch is in the up position, the function is "OFF or assigned to the feature stated"; when a switch is in the down position, the function is "ON or assigned to the feature stated".

1	2	3	4	5	6
Zone 2 Assign		Mute RCV		Input 1	
Input 3	Input 2	Input 3	Input 2	Phantom	
Off	Off	Off	Off	Off	Line/Tel
On	On	On	On	On	Mic

- **DP SW #1 - Zone 2 Assign Input 3** - When "ON", Input 3 signal will be routed to the Zone 2 Output terminals. The signal routed is PRE the front panel level control.
- **DP SW #2 - Zone 2 Assign Input 2** - When "ON", Input 2 signal will be routed to the Zone 2 Output terminals. The signal routed is POST the front panel level control.
- **DP SW #3 - Mute Receive Input 3** - When "ON", Input 3 signals will be muted if a signal is present on Input 1 or if the Remote Mute Terminals are shorted together.
- **DP SW #4 - Mute Receive Input 2** - When "ON", Input 2 signals will be muted if a signal is present on Input 1 or if the Remote Mute Terminals are shorted together.
- **DP SW #5 - Input 1 Phantom Power** - 24VDC is active when Input 1 is set to Mic mode and the switch is in the ON position. **Note:** Only use this feature if you are using condenser microphones, otherwise leave in the "OFF" position.
- **DP SW #6** - When in the "MIC" position, Input 1 will accept microphone level signals; when in the "Line" position, Input 1 will accept line level or telephone signals.

11. Amplifier Outputs

For loudspeaker connections, connect as follows or proceed to the setup section for typical wiring schemes.

- **COM** - Speaker common or negative connection
- **4Ω** - Connect to direct coupled loudspeakers
- **25V** - Connect to transformer coupled loudspeakers
- **70V** - Connect to transformer coupled loudspeakers

12. Power Cord

Connect this grounded power cord to 120VAC circuits only. Serious damage may result otherwise.

13. Ground Terminal

Connect this terminal to electrical ground as required by local codes.





Using the PHD Mixer Amplifier Diagnostic System

The AAPHD Series features a patent pending Amplifier Self Diagnostic System. The PHD (Push Here Diagnostic) is simple to use and is very effective running a system diagnostic test to assure the amplifier has the proper load applied. The proper load will assure you a long lasting trouble free audio experience with your new AAPHD Series amplifier. Many amplifiers fail because an incorrect load is applied to the amplifier. This is especially true when using the amplifier in a 25V or 70V distributed audio speaker system. There are a few common failure points that can occur during system installation that are listed below.

Common Amplifier Failure Conditions, also see "How to Trouble Shoot Your Speaker System if the Limit LED is Illuminating".

1. A short in the speaker wiring.
2. Improper load selection or power tap setting on 70V speaker systems. It is very common when using many speakers to have one of the speakers tapped accidentally at 8Ω. This error will definitely be very hard on a 70V amp and in most cases cause the amp to fail within a few days. This kind of error is easy to make, time consuming to find and costly to fix.
3. Too many speakers attached or the wrong power taps are selected. If a 100 watt amp is used in a 70V system and it has ten speakers all tapped at 10W, but three of the speakers are accidentally tapped at 30W, that comes up to 160W of power required to drive the system properly. While it may work at low levels, as soon as the system needs to be louder the amp will be strained and could fail over time.

Most amplifier failures are caused by improper installation on the speaker side. There are two known ways to test the speaker system after everything is installed.

- A. Measure the speaker system using a true audio frequency impedance meter. These are the best way to see if your speaker system is wired correctly for the amplifier.
- B. Run the PHD Self Diagnostic test.

Running a Self-Diagnostic Test using the PHD Feature

Step 1 - Install the AAPHD Mixer amplifier, connect the input signals. Turn all levels to minimum. Do not attach the speaker system to the amp at this point.

Step 2 - Install the speaker system per the design, double check speaker tap settings. The total power for all the speakers should NOT exceed the maximum power rating of the amplifier installed.

Step 3 - Connect the speaker system to the amplifier. Pay special attention when connecting the speaker leads to the proper terminals on the amplifier.

Step 4 - Turn the amplifier On.

Step 5 - Before starting the system Diagnostic test. Make sure no people are present or near the speakers during the diagnostic test without taking proper precautions. A 1 watt test tone will be present at each speaker. The audible SPL level will be based on the power tap setting at each speaker and sensitivity specification of the speaker. The audible SPL level may be alarming to some people. Wear proper hearing protection before starting the test.

Step 6 - Activate the PHD circuit by inserting a small, pointed tool through the hole on the front panel labeled PHD. Press and hold the momentary switch for 5 seconds, then release. A test tone will be audible through the speaker system. If the Limit LED does not illuminate Yellow, the system is properly set up and no errors in the system were found. Continue the installation.

Note: During the initial start of the diagnostic test, the Limit indicator may flash Yellow for a few seconds until an accurate diagnostic reading has been completed, continue to hold the PHD switch in for 5 seconds to assure the test is complete. After 5 seconds and the Limit indicator is illuminating Yellow steadily, stop and read the section "How to Trouble Shoot Your Speaker System If the Limit LED is Illuminating."

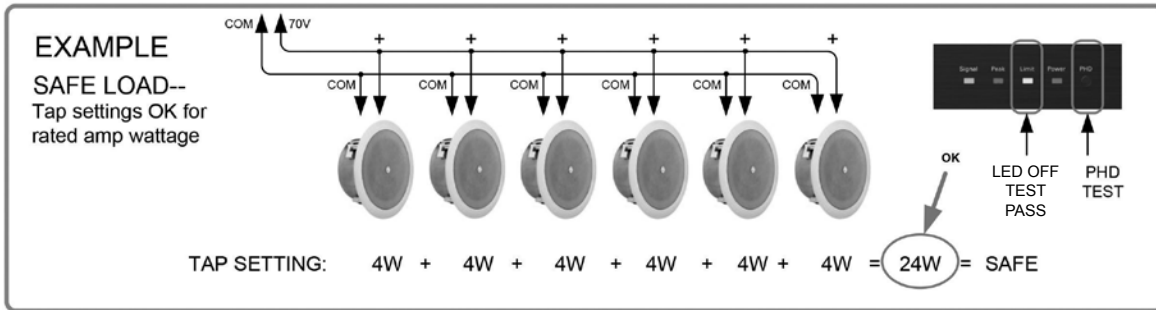


1601 Jack McKay Blvd. • Ennis, Texas 75119 U.S.A.
Telephone: 800.876.3333 • Fax: 800.765.3435



How To Trouble Shoot Your Speaker System If The Limit LED Is Illuminating

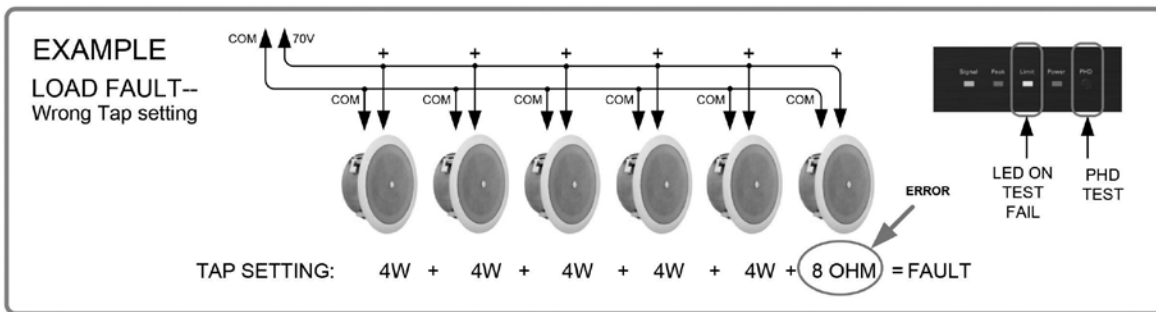
PHD DIAGNOSTIC TEST CONDITION EXAMPLES



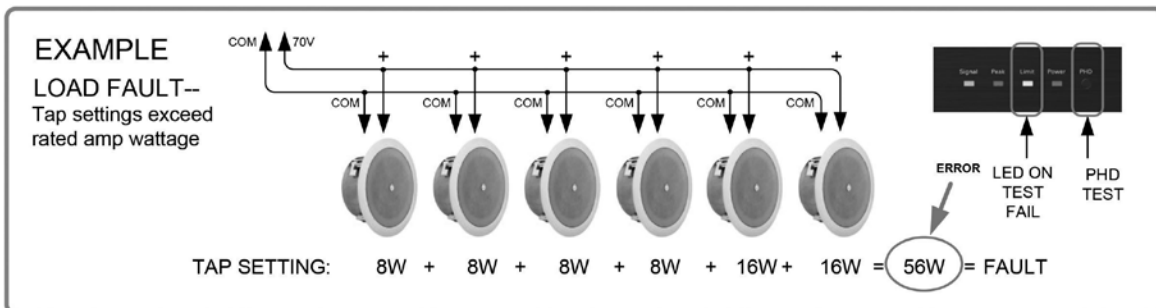
The Limit LED should never be constantly illuminated or damage may occur to the amplifier or sound system. If the Limit LED comes on steadily during use or during the PHD test there are a few common fault conditions to check if using a 70V distributed audio system.

- A. Check each speaker setting to make sure it is not set to a 4, 8 or 16 ohm setting. If one speaker is set to one of these settings it will cause a fault condition. A simple and quick way to test this besides visually looking at each speaker is to have a second technician walk the area where the speakers are installed while the PHD test is applied and listen for a speaker that is audibly louder than the other speakers. The louder speaker most likely will be incorrectly tapped and the cause of the fault.

Note: Always take proper hearing precautions.



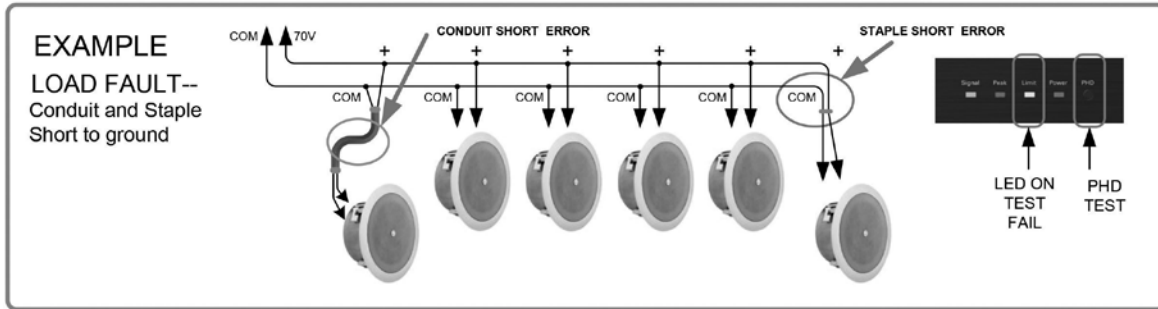
- B. Check each speaker to be sure the load tap is set to the correct power setting. The total power tap selected of all the speakers combined should not exceed the amplifier's maximum power rating or a fault may occur.



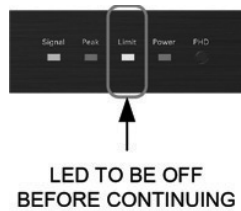


How To Trouble Shoot Your Speaker System If The Limit LED Is Illuminating

- C. If the first two check points are OK, there is probably a short in the wiring of the speaker system. Common causes include staples through the wire and the wire cut by metal conduit causing a short to ground.



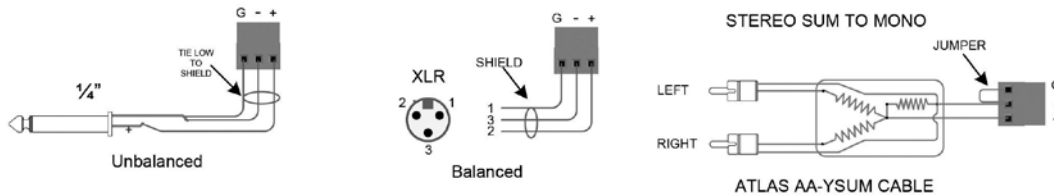
- D. **Excessive Current Draw** - The Limit LED will illuminate Yellow when the amplifier is consuming excessive current. The most likely cause for the fault is an incorrect load impedance connected to the amplifier. The LED should not steadily illuminate if a proper load is applied. **Note:** An occasional LED flash is okay during standard operation. When LED is ON audible distortion may be heard at the speakers.
- E. After finding and correcting the issue, perform the PHD test until the Limit indicator is no longer illuminating.



Note: During the initial start of the diagnostic test, the Limit indicator may flash Yellow for a few seconds until an accurate diagnostic reading has been completed, continue to hold the PHD switch in for 5 seconds to assure the test is complete. After 5 seconds and the Limit indicator is illuminating Yellow steadily, stop and read the section "How to Trouble Shoot Your Speaker System If the Limit LED is Illuminating."

Wiring the AAPHD Series Amplifier

- **Mic/Line Input** - Use 2 conductor w/ shield for low level signals; 20-22 gauge stranded wire is best. Maintain the proper polarity, + to +, - to -, and shield to ground.
- **Unbalanced Inputs and Outputs** - Pre-made RCA cables can be purchased from Atlas Sound to simplify interconnection to external devices.
- **Zone 2 Out** - Use 2 conductor, 20-22 gauge, shielded is best. Terminate the shield at the input to the device if possible.
- **Speaker Outputs** - The AAPHD Series is rated for Class 2 wiring, meaning it is not required to run the wire in conduit. Use Class 2 rated wire, 2 conductor unshielded wire of the appropriate gauge. Contact Atlas Sound Tech Support at 1-800-876-3333 for more information on proper wire gauge selection.



1601 Jack McKay Blvd. • Ennis, Texas 75119 U.S.A.
Telephone: 800.876.3333 • Fax: 800.765.3435

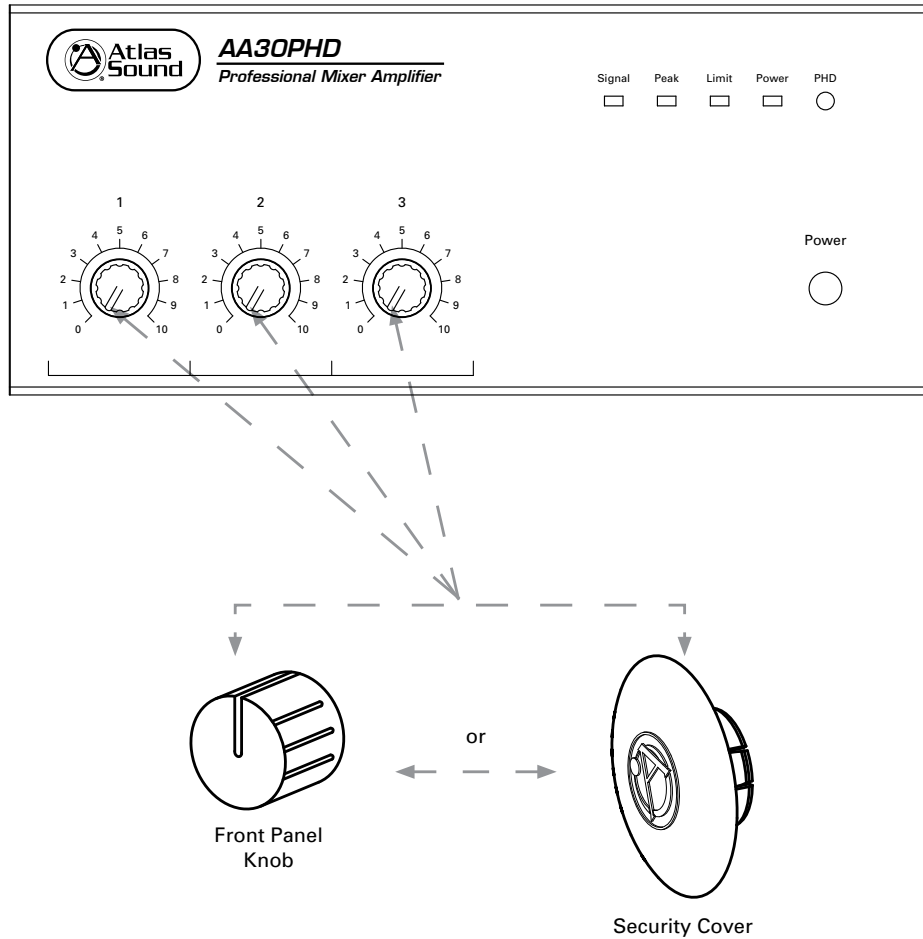


AA30PHD 30W Mixer Amplifier

Owner's Manual

Level Control Security Cover Option

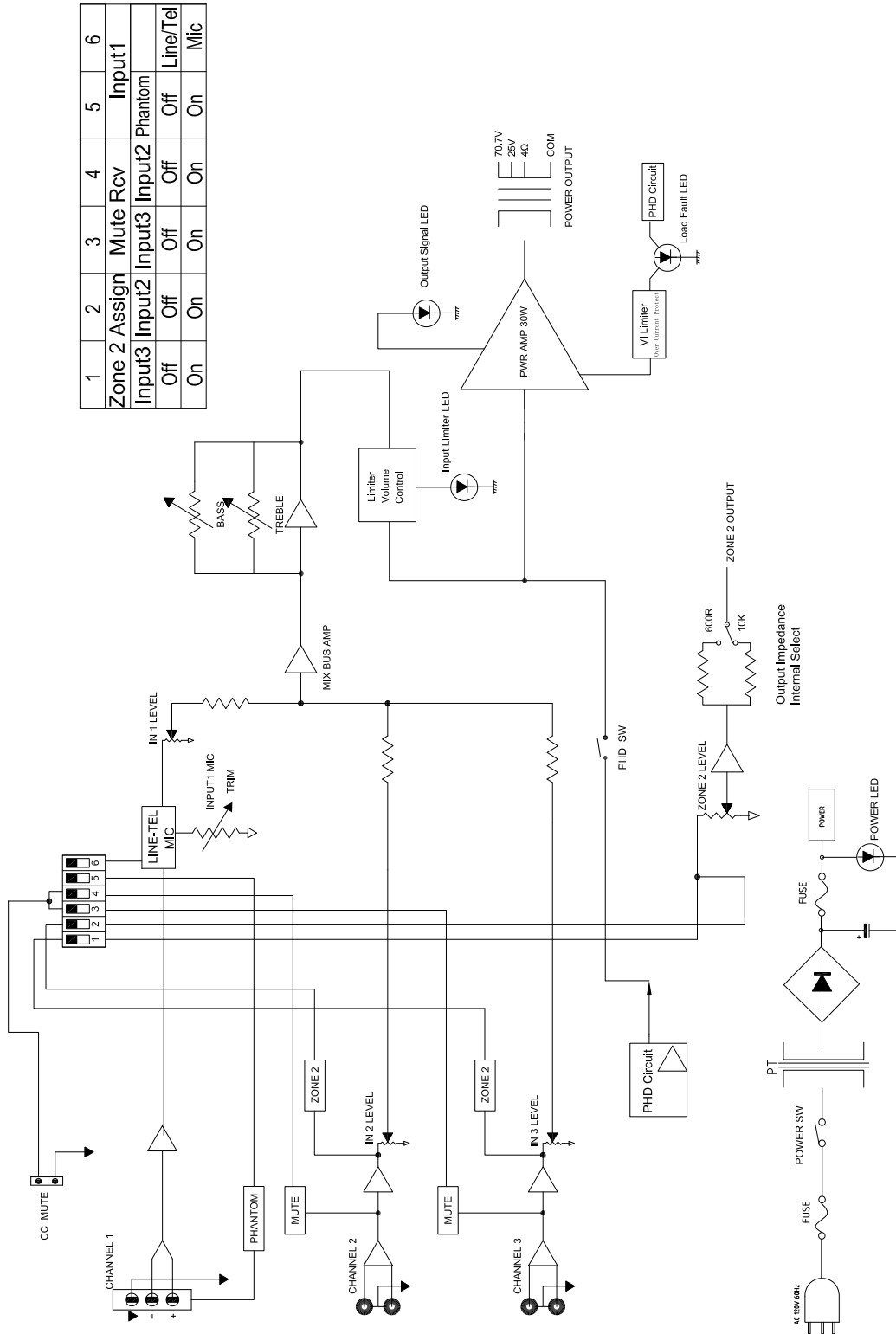
In order to prevent unauthorized operation of the AAPHD Series amplifiers, optional security covers are available which take the place of the front panel knobs. After the amp has been installed and is operating as desired, grasp the front panel knobs and pull straight out from the front panel. Replace the knobs with security covers, Atlas Sound part number AAVCC-5, available in quantities of 5.



1601 Jack McKay Blvd. • Ennis, Texas 75119 U.S.A.
Telephone: 800.876.3333 • Fax: 800.765.3435



Block Diagram



1	2	3	4	5	6
Zone 2 Assign	Mute Rcv	Input2	Input3	Phantom	Input1
Off	Off	Off	Off	Off	Line/Tel
On	On	On	On	On	Mic



1601 Jack McKay Blvd. • Ennis, Texas 75119 U.S.A.
Telephone: 800.876.3333 • Fax: 800.765.3435



AA30PHD 30W Mixer Amplifier

Owner's Manual

AA30PHD Specifications

Type	Mixer Amplifier
RoHS Compliant	Yes
Safety Listings	ETL (UL 60065 Standard)

Electrical Specifications

Power Output	Max. Average Power @ 50Hz-15kHz with 1% THD, 4 Ω 30W RMS	
Transformer Outputs	25V	30W RMS
	70.7V	30W RMS
	4 Ω	30W RMS

Front Panel

Power Switch	Push Type
Indicators	Signal, Peak, Limit, Power
PHD Test Circuit	Push Momentary
Level Controls	Inputs 1 - 3

Rear Panel

Inputs	Mic / Line Balanced Qty 1, 3 Position PHX Type. 3.5mm Pitch Auxiliary Unbalanced Qty 2, RCA
Tone Controls	Bass ± 6 dB @ 100Hz Treble ± 6 dB @ 10kHz
Mute	VOX Sensitivity: Pot Rotary, Range 500uV - 200mV Remote Mute: Contact Closure, 2 Position Phoenix, 3.5mm Pitch

Control Switch Functions

Zone 2 Assign	Inputs 2, 3
Mute Receive	Inputs 2, 3
Phantom Power	Input 1
Mic line Select	Input 1

Outputs

Main	Transformer Coupled, Balanced, 4 Ω , 25V, and 70.7V. Class 2 Rated, Removable 4 Position PHX 5.08mm Pitch, Accepts up to 12 Gauge Wire, 12A Rating
Zone 2	Unbalanced 600 Ω / 10k Ω , Max 1.0V Out, Removable 2 Position PHX 3.50mm Pitch, Accepts Up to 18 Gauge Wire, 8A Rating



1601 Jack McKay Blvd. • Ennis, Texas 75119 U.S.A.
Telephone: 800.876.3333 • Fax: 800.765.3435



AA3OPHD Specifications

Technical Data

Inputs	Total Qty 3
Frequency Response	80Hz-15kHz +/- 3dB
Thd+N	1% or Less, at 1kHz, Rated Output
Input Sensitivity / Impedance	Input 1 Mic Mode 5mv, No Trim, 1200Ω
	Input 1 Line Mode 316mV (-10dBV) 1200Ω
	Input 2, 3 316mV (-10dBV) 10kΩ
Signal To Noise Ratio	Mic >55dB
	Line >55dB
	Telephone >55dB
	Input 2/3 >75dB
Phantom Power	24VDC

Power Requirements

AC Mains	120V 60Hz
AC Cord	2M, 18 gauge, NEMA 5-20P
Idle Power	7.6W, .70mA, 25 BTU
Average Power (1/3 Rated Output)	55W, .55mA, 187 BTU
Max Power (20mS Burst)	85W, .83A, 290 BTU

Mechanical

Chassis	Steel
Finish	Black Paint on Front and Top
Dimensions	8.27" x 3.66" x 10.87" (210mm x 93mm x 276mm)
Weight	9 lbs (4.08kg)



1601 Jack McKay Blvd. • Ennis, Texas 75119 U.S.A.
Telephone: 800.876.3333 • Fax: 800.765.3435



AA30PHD 30W Mixer Amplifier

Owner's Manual

Limited Warranty

All products manufactured by Atlas Sound are warranted to the original dealer/installer, industrial or commercial purchaser to be free from defects in material and workmanship and to be in compliance with our published specifications, if any. This warranty shall extend from the date of purchase for a period of three years on all Atlas Sound products, including SOUNDOLIER brand, and ATLAS SOUND brand products except as follows: one year on electronics and control systems; one year on replacement parts; and one year on Musician Series stands and related accessories. Additionally, fuses and lamps carry no warranty. Atlas Sound will solely at its discretion, replace at no charge or repair free of charge defective parts or products when the product has been applied and used in accordance with our published operation and installation instructions. We will not be responsible for defects caused by improper storage, misuse (including failure to provide reasonable and necessary maintenance), accident, abnormal atmospheres, water immersion, lightning discharge, or malfunctions when products have been modified or operated in excess of rated power, altered, serviced or installed in other than a workman like manner. The original sales invoice should be retained as evidence of purchase under the terms of this warranty. All warranty returns must comply with our returns policy set forth below. When products returned to Atlas Sound do not qualify for repair or replacement under our warranty, repairs may be performed at prevailing costs for material and labor unless there is included with the returned product(s) a written request for an estimate of repair costs before any nonwarranty work is performed. In the event of replacement or upon completion of repairs, return shipment will be made with the transportation charges collect.

EXCEPT TO THE EXTENT THAT APPLICABLE LAW PREVENTS THE LIMITATION OF CONSEQUENTIAL DAMAGES FOR PERSONAL INJURY, ATLAS SOUND SHALL NOT BE LIABLE IN TORT OR CONTRACT FOR ANY DIRECT, CONSEQUENTIAL OR INCIDENTAL LOSS OR DAMAGE ARISING OUT OF THE INSTALLATION, USE OR INABILITY TO USE THE PRODUCTS. THE ABOVE WARRANTY IS IN LIEU OF ALL OTHER WARRANTIES INCLUDING BUT NOT LIMITED TO WARRANTIES OF MERCHANTABILITY AND FITNESS FOR A PARTICULAR PURPOSE.

Atlas Sound does not assume, or does it authorize any other person to assume or extend on its behalf, any other warranty, obligation, or liability. This warranty gives you specific legal rights and you may have other rights which vary from state to state.

Service

Should your AA30PHD require service, please contact the Atlas Sound warranty department at 1-877-689-8055, ext. 277 or support.atlassound.com to obtain an RA number.

Atlas Sound Tech Support can be reached at 1-800-876-3333 or support.atlassound.com.

Visit our website at www.AtlasSound.com to see other Atlas products.

©2015 Atlas Sound L.P. All rights reserved. Atlas Sound is a trademark of Atlas Sound L.P.
All other trademarks are the property of their respective owners. ATS004883 RevB 2/15



1601 Jack McKay Blvd. • Ennis, Texas 75119 U.S.A.
Telephone: 800.876.3333 • Fax: 800.765.3435