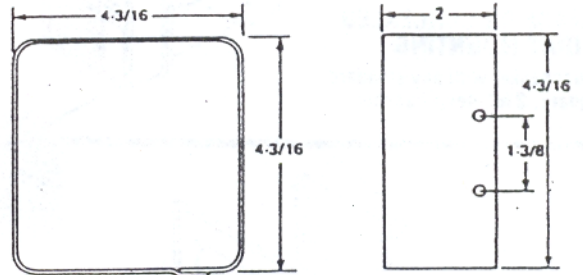


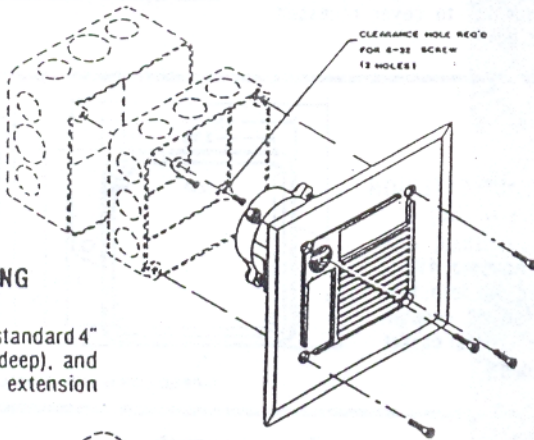
RECESSED MOUNTING OPTION

VTF loudspeaker with standard 4" square backbox (2 1/8" deep) and overlapping adaptor ring (AR).



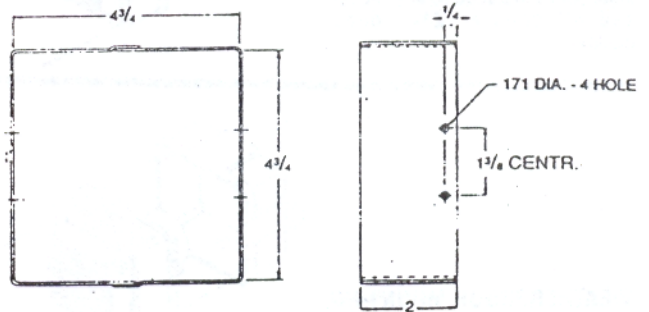
ADAPTOR RING (AR)

Welded steel 2" deep collar, provides necessary extension to any 4" square, 2 1/8" deep EO box (4 "S" clips included).



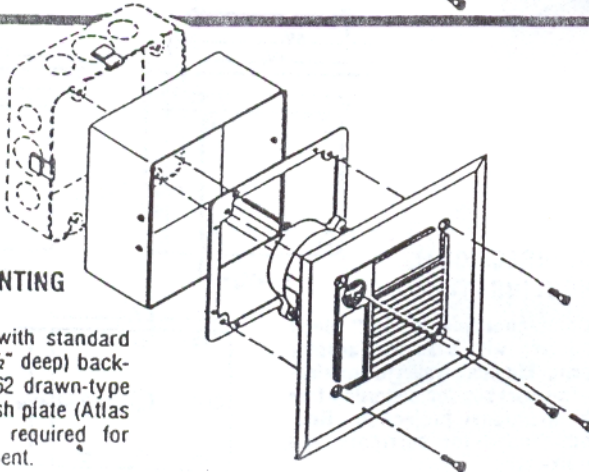
RECESSED MOUNTING OPTION

VTF Loudspeaker with standard 4" square backbox (2 1/8" deep), and Racor #204 drawn-type extension ring.



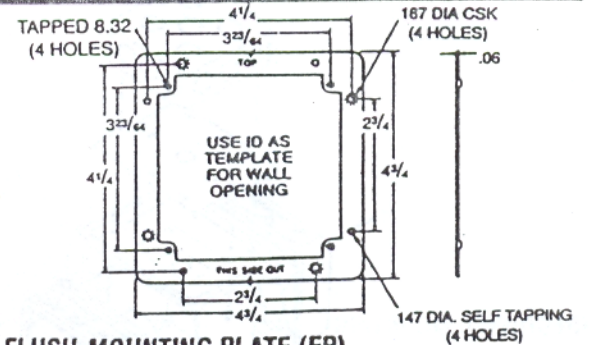
ADAPTOR RING (MR)

Welded steel 2" deep collar, provides necessary extension to any 4 11/16" square, 1 1/2" deep EO box (4 "S" clips included).



RECESSED MOUNTING OPTION

VTF Loudspeaker with standard 4-11/16" square (1 1/2" deep) backbox, and Racor #262 drawn-type extension ring. Flush plate (Atlas Sound Model FP) required for loudspeaker alignment.



FLUSH-MOUNTING PLATE (FP)

Stamped steel adaptor plate designed for VTF loudspeaker mounting, with 4 1/4" backboxes or where backboxes are not required.

Specifications are subject to change without notice



www.AtlasSound.com

1601 JACK MCKAY BOULEVARD ENNIS, TEXAS U.S.A. • TELEPHONE: (800) 876-3332 • FAX: (800) 765-3435

©2001 ATLAS SOUND LP

Printed in U.S.A.

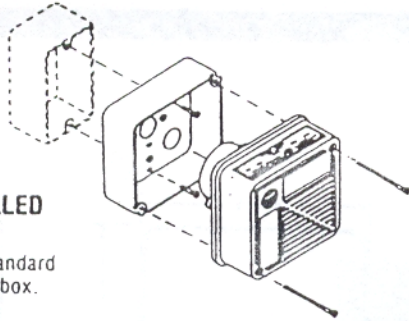
00801 ATSO00740 RevB 8/01

PN 8524300



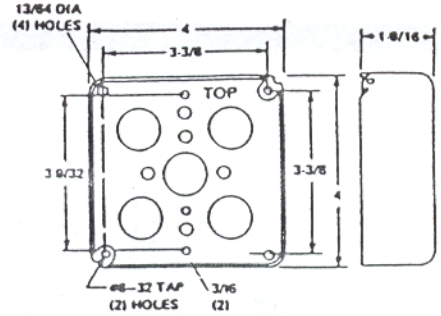
SURFACE OR CONCEALED CONDUIT MOUNTING

VT loudspeaker with any standard 4" square, 2 1/4" deep backbox.



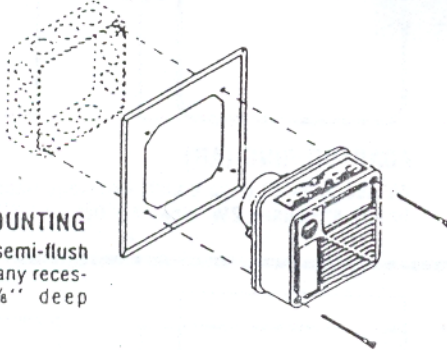
SURFACE INTERIOR BACKBOX (SI)

4" square steel backbox with 1/2" knockouts; 1 1/2" deep, epoxy-finished surface. mounts to any single/double gang backbox for concealed conduit applications.



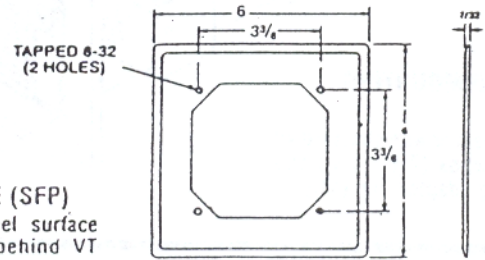
SEMI-RECESSED MOUNTING

VT loudspeaker with semi-flush plate (SFP) installed to any recessed 4" square, 2 1/4" deep backbox.



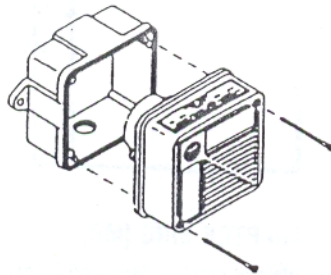
SEMI-FLUSH PLATE (SFP)

Painted, stamped steel surface wall plate. Mounts behind VT loudspeaker to cover recessed outlet box.



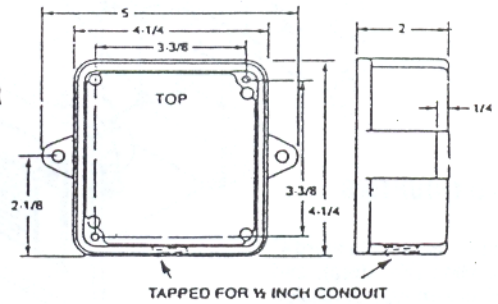
WEATHERPROOF MOUNTING

VT loudspeaker with surface-exterior backbox (SE) for weatherproof installations.



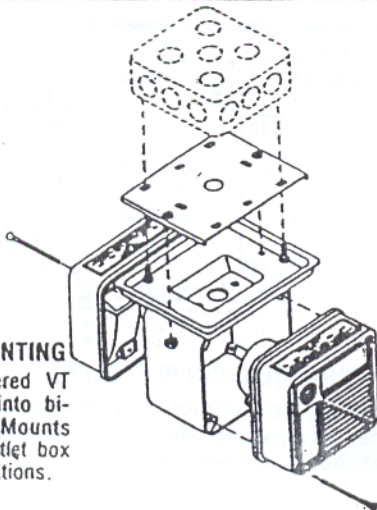
SURFACE-EXTERIOR BACKBOX (SE)

Epoxy-finished, die-cast housing, 4 1/4" square, 2" deep, tapped for 1/2" conduit. (Weatherproof gasket included.)



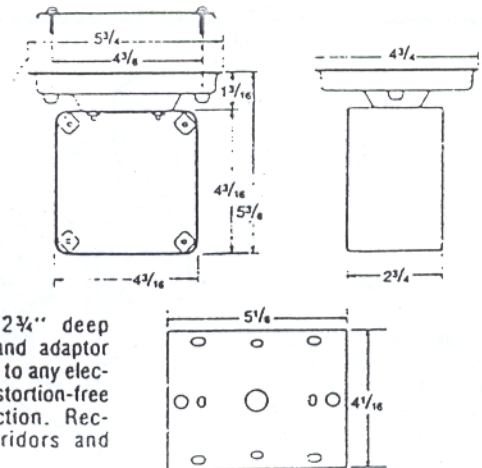
BI-DIRECTIONAL MOUNTING

Two independently-powered VT loudspeakers installed into bi-directional frame (TVTA). Mounts to any type electrical outlet box for ceiling or wall installations.



BI-DIRECTIONAL HOUSING (TVTA)

Color-coordinated 2 3/4" deep housing with base and adaptor plate. Mounts parallel to any electrical backbox for distortion-free bi-directional projection. Recommended for corridors and walkways.



Specifications are subject to change without notice



www.AtlasSound.com

1601 JACK MCKAY BOULEVARD ENNIS, TEXAS U.S.A. • TELEPHONE: (800) 876-3332 • FAX: (800) 765-3435

©2001 ATLAS SOUND LP

Printed in U.S.A.

00801

ATS000740 RevB 8/01

PN 8524300