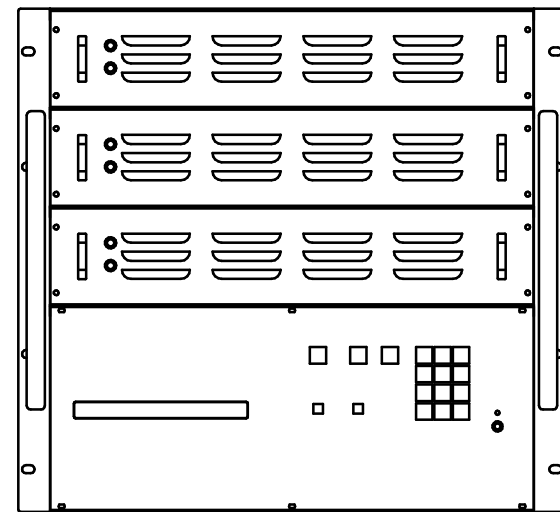
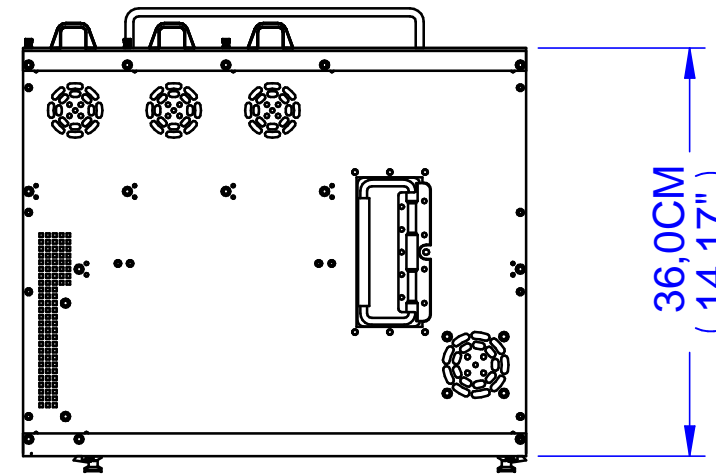
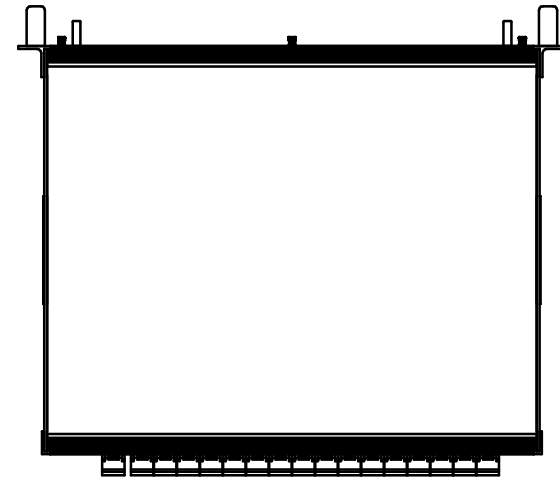
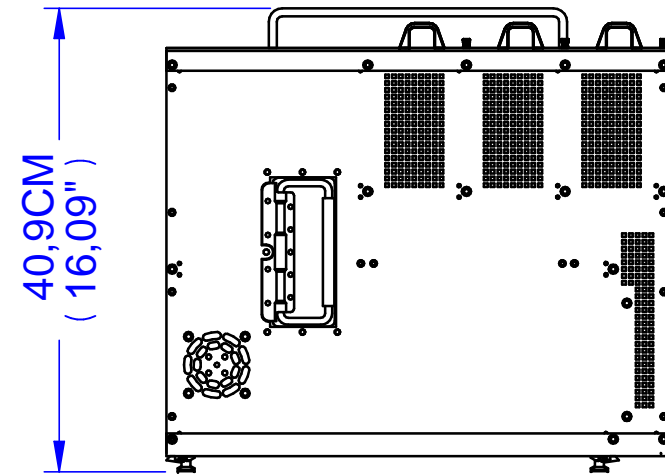
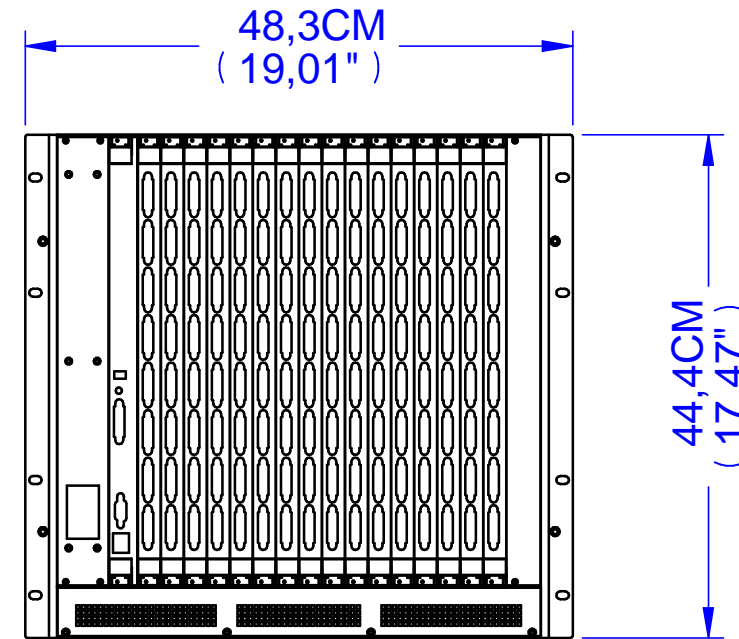


REVISION HISTORY

REV	DESCRIPTION	ECO NO.	DATE	APPROVED
1	PRELIMINARY		DD. MM. YY	



	NAME	DATE	General Tolerances According to ISO 2768	125/	KRAMER ELECTRONICS LTD. JERUSALEM, ISRAEL
DESIGNED	ihassidim	09/12/14			
DRAWN	ihassidim	09/12/14	From To (INCD) LINEAR 0 30 ±0.1 30 400 ±0.2 400+ ±0.3	WEIGHT	PART: VS-6464DN-OUTLINE
CHECKED			ANGELS 0 45 ±1* 45 120 ±0.5* 120 400 ±0.25*		
APPROVED	RADU N.		HOLES : ±0.2	SIZE	KRAMER P.N.: VS-6464DN-OUTLINE
UNLESS OTHERWISE SPECIFIED DIMENSIONS ARE IN MILLIMETERS			THIS DRAWINGS CONTAINS PROPRIETARY INFORMATION AND IS NOT TO BE USED OR REPRODUCED WITHOUT THE PERMISSION OF: KRAMER ELECTRONICS LTD.	A3	REV. 1
Project : VS-6464DN				File Name: VS-6464DN-OUTLINE.dft	SHEET 1 OF 1