



Scan for full manual

FC-6P Quick Start Guide

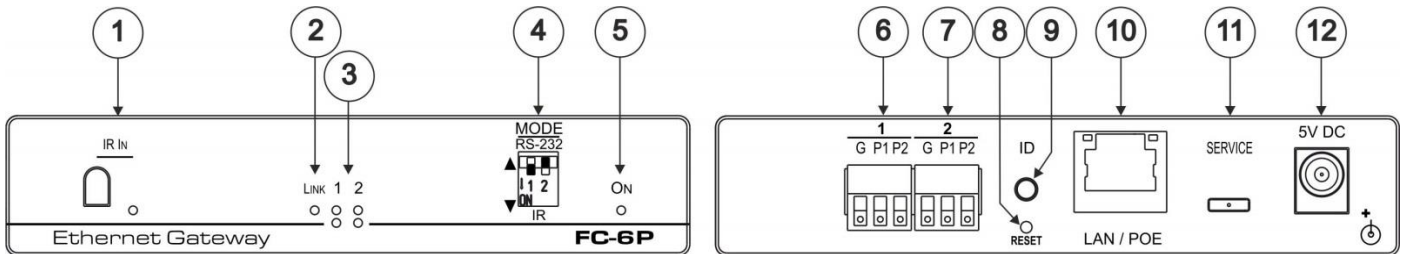
This guide helps you install and use your **FC-6P** for the first time.

Go to www.kramerav.com/downloads/FC-6P to download the latest user manual and check if firmware upgrades are available.

Step 1: Check what's in the box

- ✓ **FC-6P** Ethernet Gateway
- ✓ 4 Rubber feet
- ✓ 1 Bracket set
- ✓ 1 USB-A to USB mini cable
- ✓ 1 Quick start guide

Step 2: Get to know your FC-6P

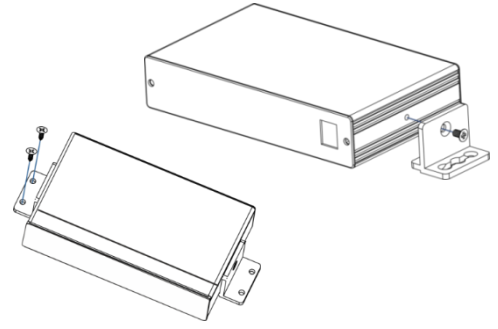


#	Feature	Function
1	IR Sensor and LED	Sensor for IR learning, LED lights during activity
2	LINK LED	Shows the Ethernet link is active
3	Activity LEDs Ports 1 and 2, white (upper) and blue (lower)	Show the transmission status of port 1 and port 2: When set as RS-232, the white LED indicates Tx and blue LED indicates Rx When set as IR, the white LED indicates IR-P1 Tx and blue LED indicates IR-P2 Tx
4	MODE DIP-switches (Port 1 and Port 2)	Switch up (off) for RS-232, switch down (on) for IR The default setting is port 1 RS-232 (up) and port 2 IR (down)
5	ON LED	Lights green when the unit is on
6	Port 1 I/O 3-pin Terminal Block	Port 1 terminal block connects one bidirectional RS-232/RS-485 port or two IR outputs
7	Port 2 I/O 3-pin Terminal Block	Port 2 terminal block connects one bidirectional RS-232 port or two IR outputs
8	RESET Button	Press and hold while cycling the device power to reset to factory default parameters
9	ID	Press to broadcast ID message for auto-discovery of the device
10	LAN/POE RJ-45 Connector	Connects to a PoE source (Power over Ethernet) for powering and an IP client or other controller, either directly or via a LAN
11	SERVICE Mini USB Connector	Connects to a USB power source for powering and to a PC for a local firmware upgrade
12	5V DC Connector	For extra power resiliency, connect to the optional 5V DC power supply, center pin positive. Not needed when the device is supplied power by PoE or a USB power source

Step 3: Install the FC-6P

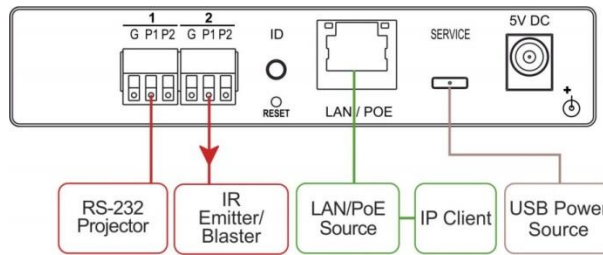
You can mount this Kramer TOOLS™ next to a USB power source behind an AV device, in the ceiling, on a desk top, wall or similar area. Fasten a bracket on each side of the TOOLS using the two M3x8 screws (supplied). Use the flat-head screws (supplied) to fix the TOOLS to the mounting surface or enable it to slide in place.

Or you can attach the rubber feet and place on a table or mount the **FC-6P** in a rack (using an optional **RK-3T** rack mount).



Step 4: Connect the inputs and outputs

Always switch OFF the power on each device before connecting it to your **FC-6P**. For best results, we recommend that you always use Kramer high-performance cables to connect controlled equipment to the **FC-6P**.



Step 5: Connect the power

Connect the PoE or USB power source and/or the optional 5V DC power adapter to the **FC-6P** and plug it into the mains electricity.

Step 6: Configure and operate the FC-6P

Note: The **FC-6P** is shipped from the factory with DHCP enabled and a random IP address. To connect the **FC-6P** on first installation, you must identify what IP address has been automatically assigned to the **FC-6P**. To discover the IP address of **FC-6P**, use **K-LAN Configurator**, available for download from our website at www.kramerav.com.

To reset the device to its factory default settings:

1. Turn off the power to the device.
2. Press and hold the Reset button on the rear panel.
3. Turn on the power to the device while holding down the Reset button for a few seconds.
4. Release the button.
The device is reset to the factory default settings.

To browse the FC-6P Web UI (User Interface) using factory default settings:

Use the default host name: **FC-6P-xxxx**, where **xxxx** are the last four digits of the serial number of the device.

To configure and operate the FC-6P:

1. Using the device Web UI, configure the control gateway:
 - Set DHCP or assign a static IP address
 - Associate IP port(s) with the relevant port(s)
 - Configure the relevant port parameters
2. Configure IP client connection port(s) on a Kramer control or any other control software application.
3. Set the control application to use the control gateway ports for sending and receiving control communication over the IP connections.

FC-6P Function Table

Port IO Function	Terminal Block Connections			IO Port Default	TCP Default Port [P1/P2]	Blue Activity LED Pair	Comment
	G	P1	P2				
RS-232	Ground	Rx	Tx	9600,8,N,1	5001/2	Flashes when port is transmitting & receiving data	Other serial configurations via Web, including RS-485 for Port 3
IR	Ground	IR ₁	IR ₂		5000	ON when ports are transmitting IR data	

Key:
P1 / P2 – Port 1 / Port 2; Tx – Transmit, Rx– Receive; 9600, 8, N, 1 – 9600 baud, 8-bits, no parity, 1 stop bit; IR₁ / IR₂ – IR Port 1 / IR Port 2