

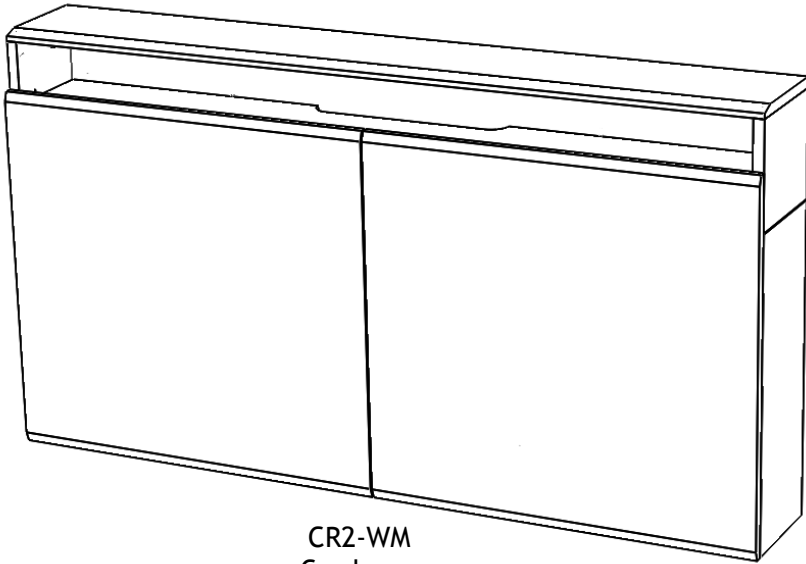


# CR2-WM

Instructions

# Parts

Included



CR2-WM  
Credenza



Legs  
x3



Hardware Bag

# Hardware

Included in HW bag.



Washer  
x4



Toggle  
Anchor  
x4



LAG  
Shield  
x4



HEX  
Bolt  
x4



LAG Bolt  
x4

# Tools Required

Not Included



Drill bit set



Drill



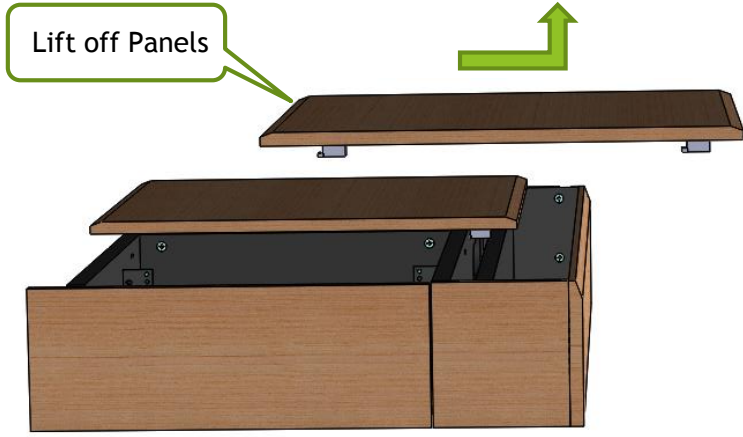
Socket set



Stud Finder  
If Drywall

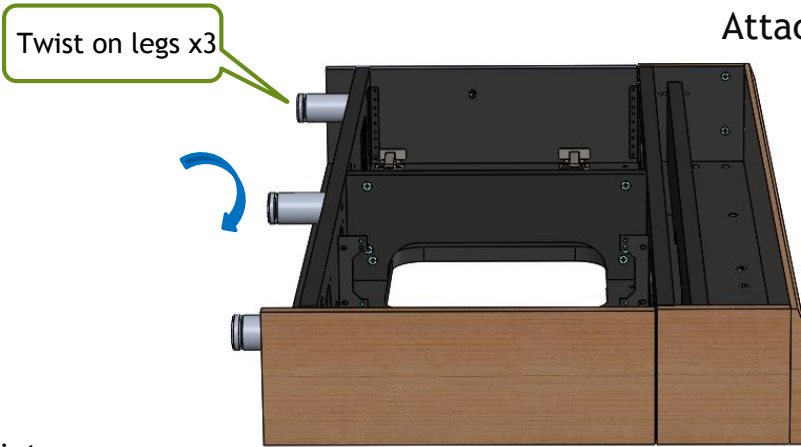
### Step 1

Unpack and  
Lift off front  
panels.



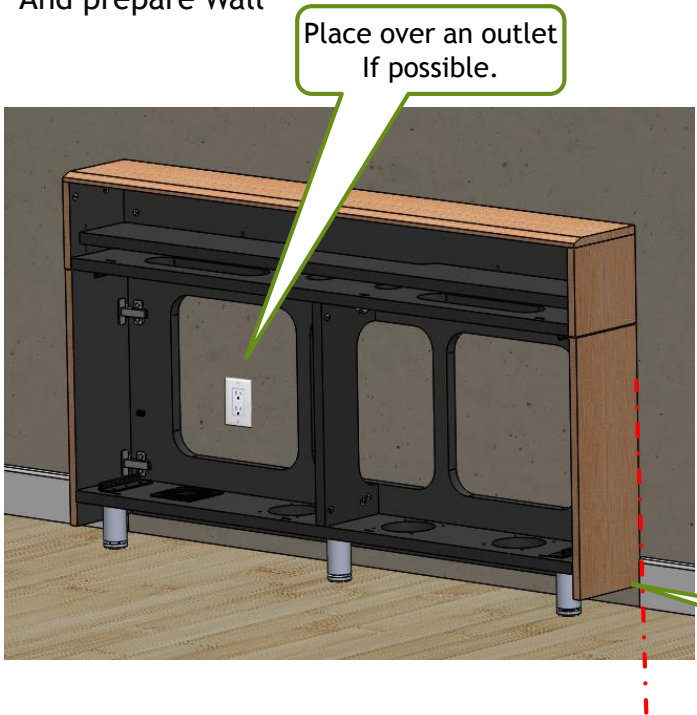
### Step 2

Attach Legs



### Step 3

Locate mounting points  
And prepare Wall



#### Drywall/Stud wall

Locate studs using stud finder and mark  
Approx 23" above floor height. Follow  
Masonry step below to line up studs.



#### Masonry wall

Place CR2-WM against wall at desired location  
And mark 4 hole locations through holes at  
Back of unit.



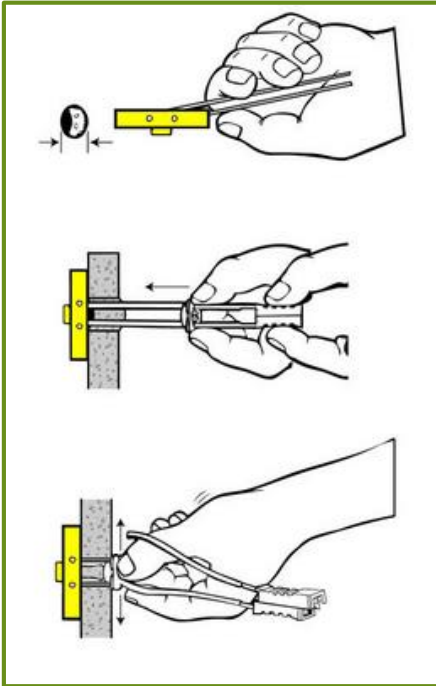
Baseboard trim  
May need to cut away.  
Leave Clearance for door.

# Step 3 Continued

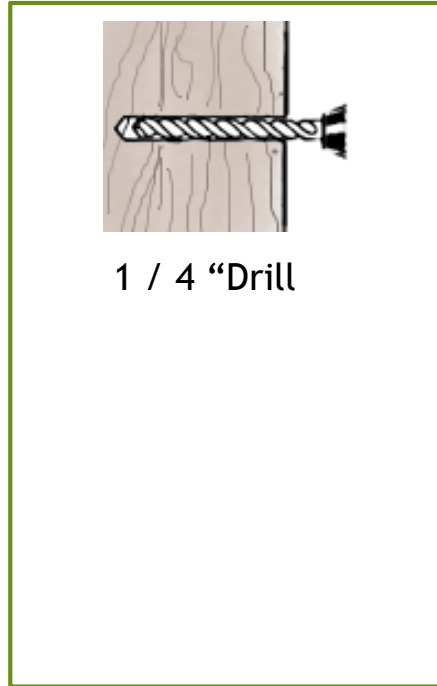
Attach Fasteners to wall



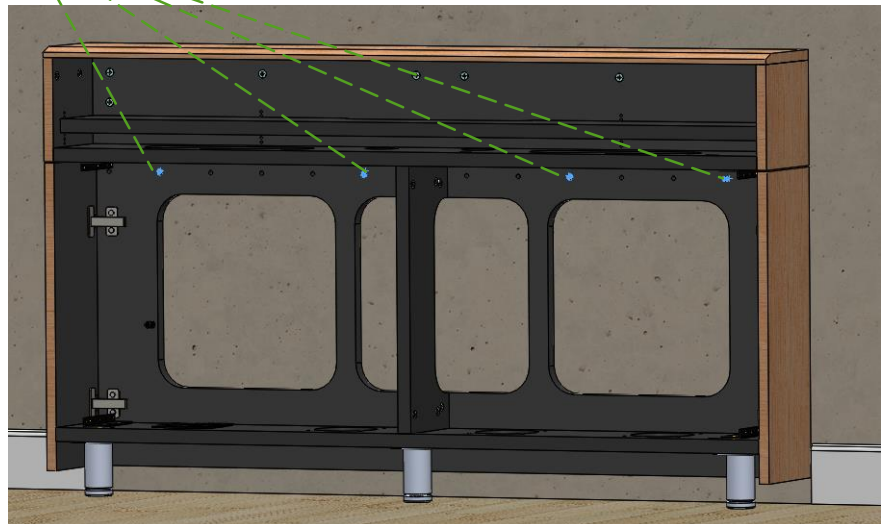
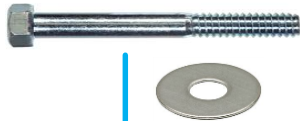
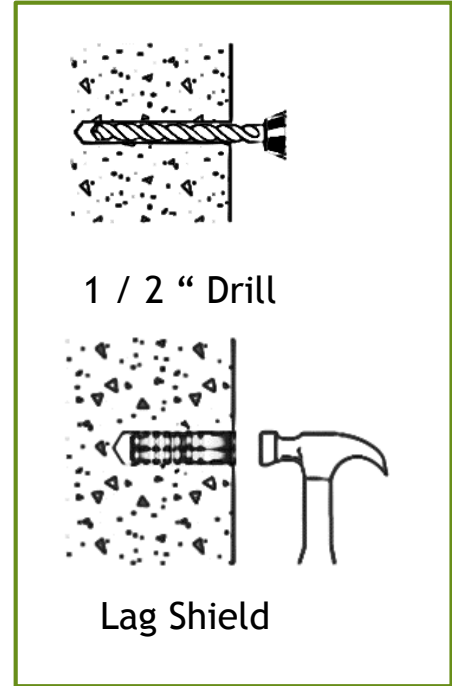
Drywall/steel stud



Wood Stud

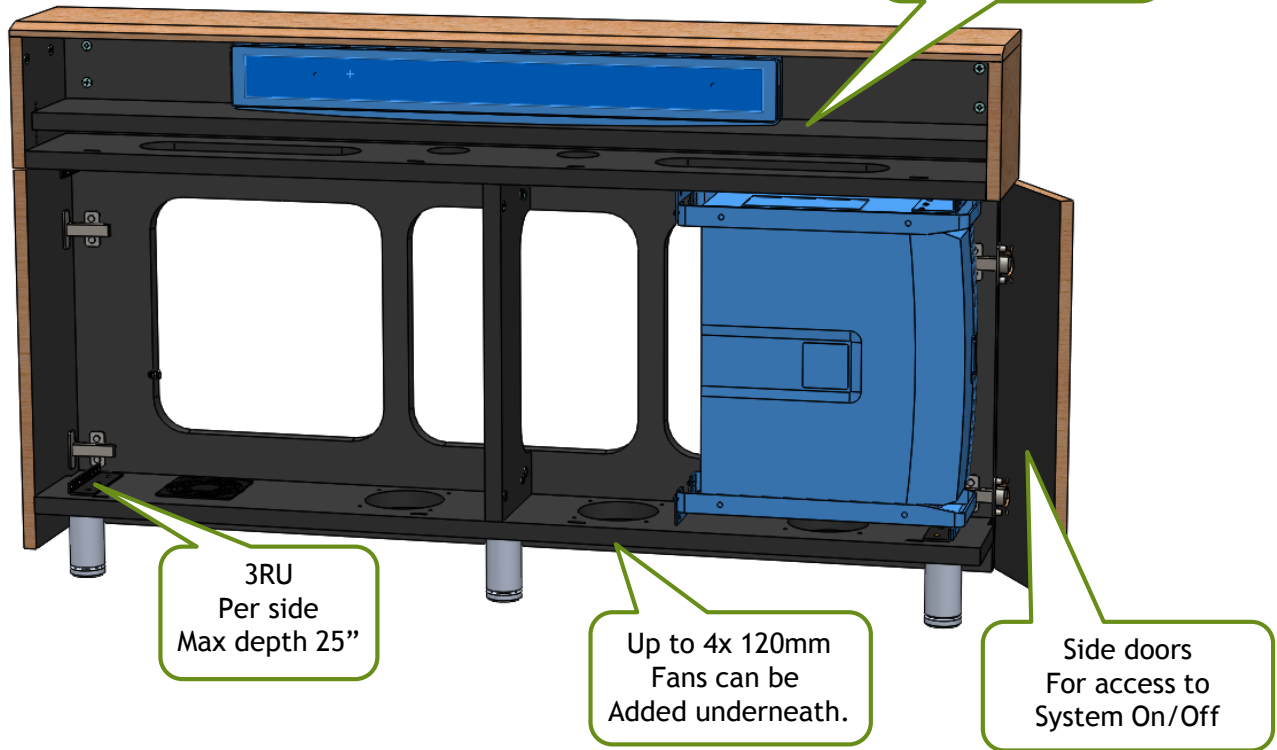


Masonry



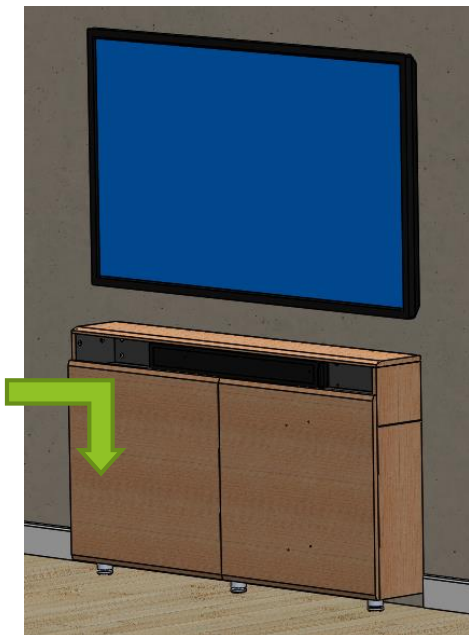
## Step 4

### Install Equipment and Sound bar



## Step 5

### Reinstall Panels.



### Finished

Thanks for Purchasing AVFI.  
Have a great day.