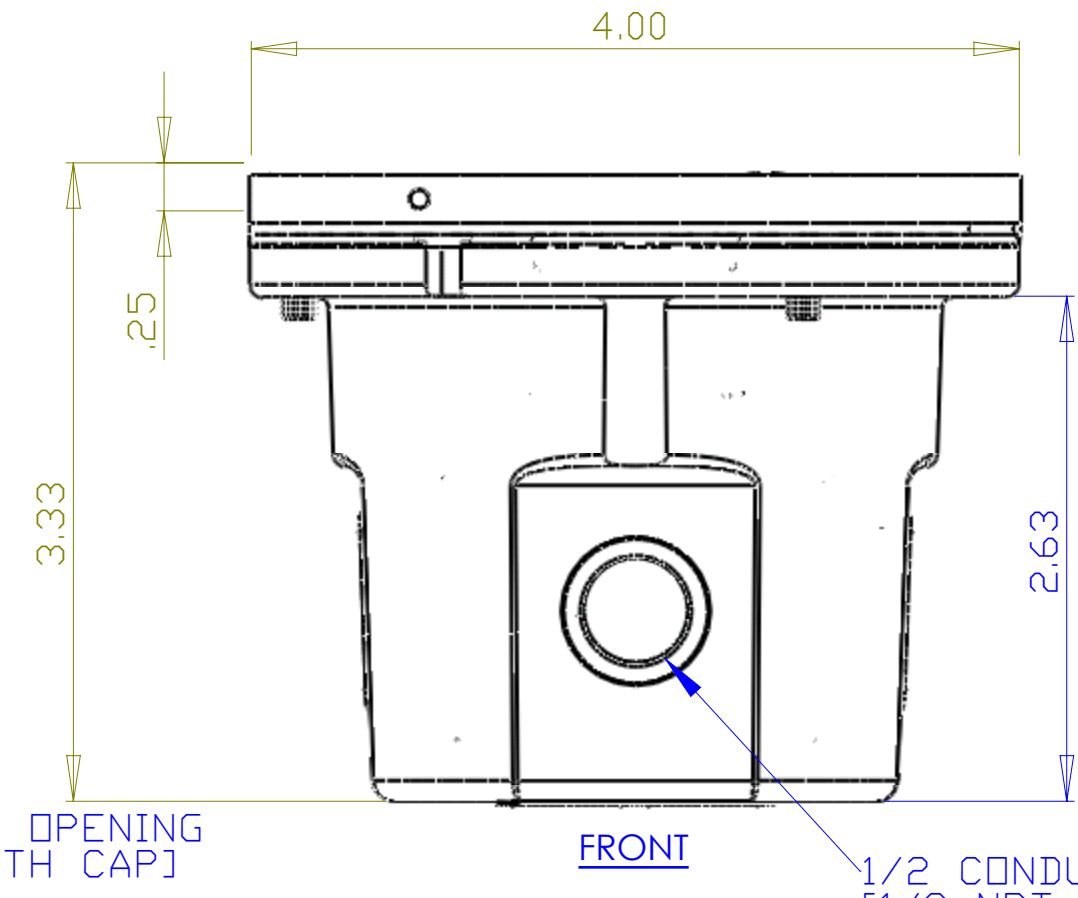
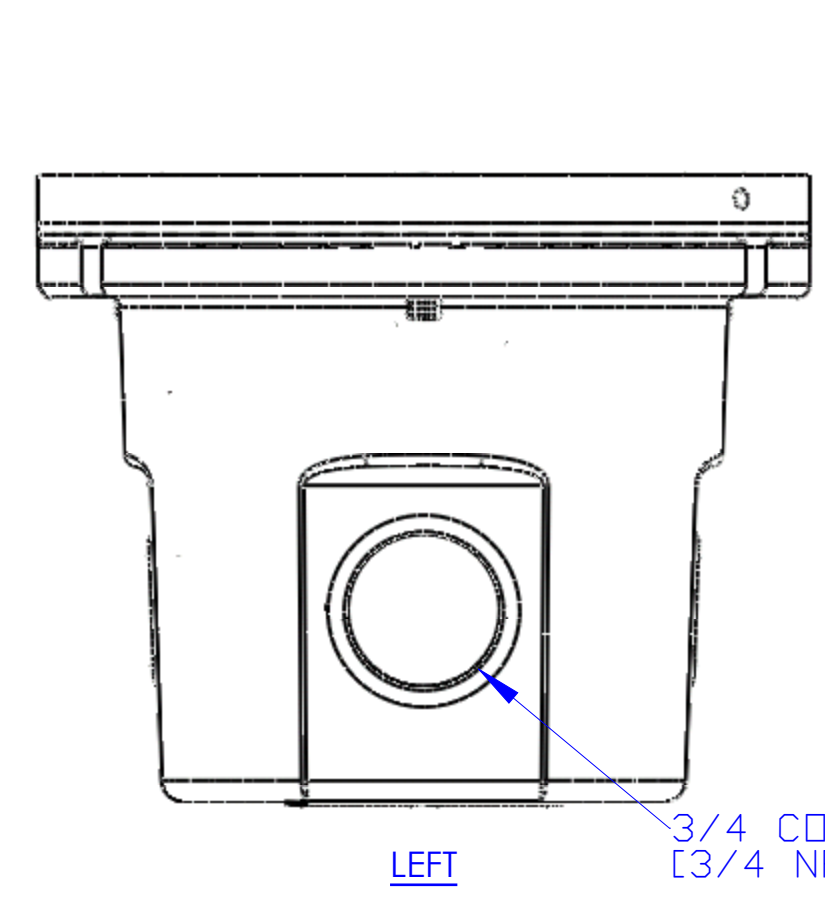
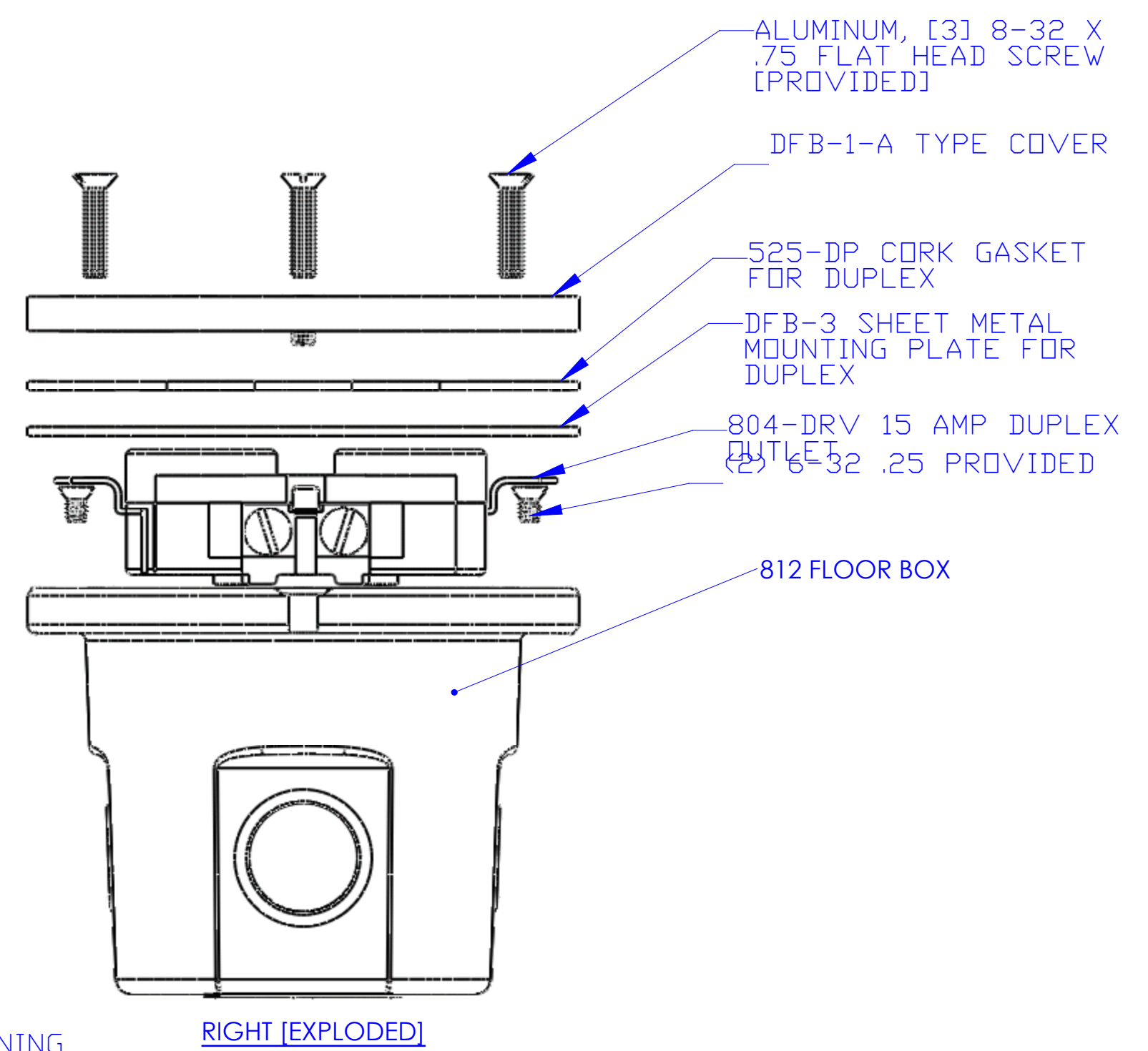
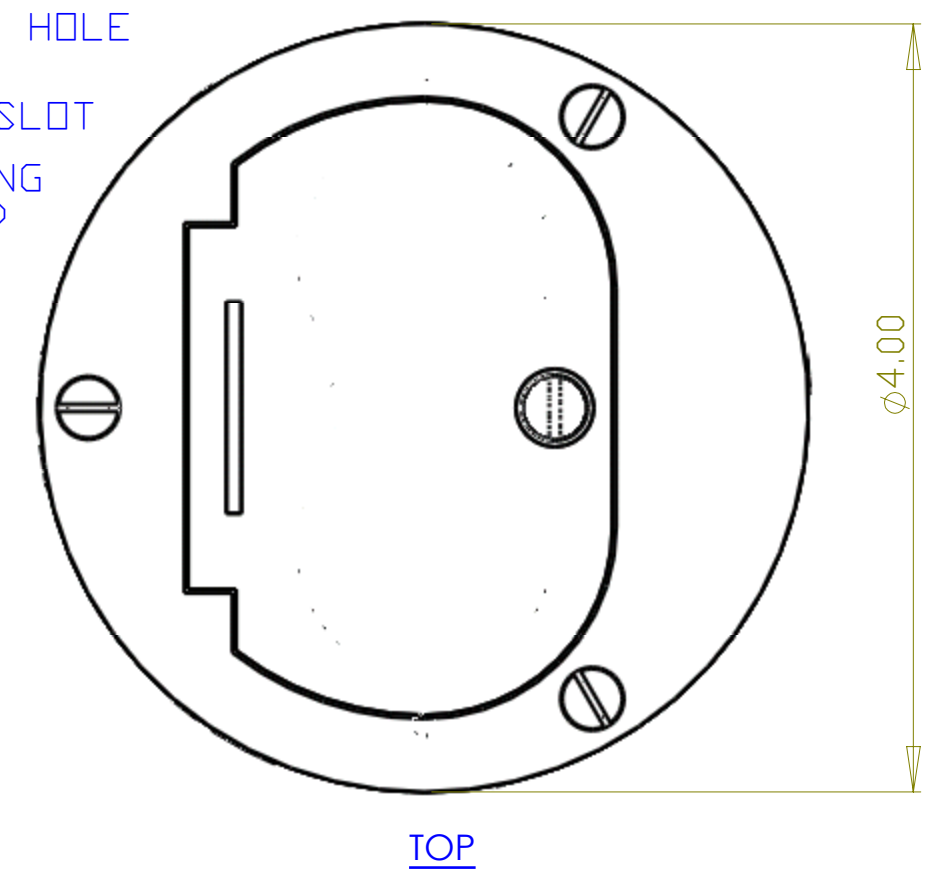
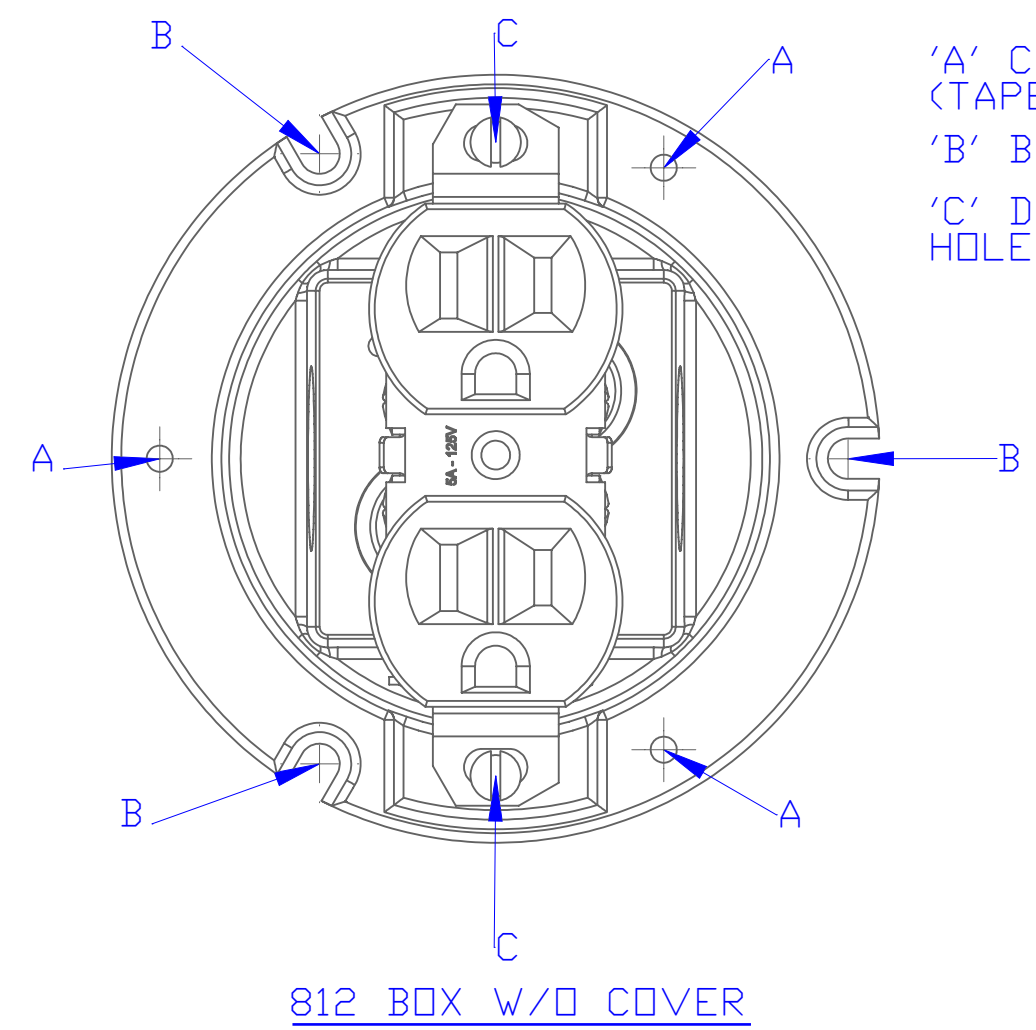


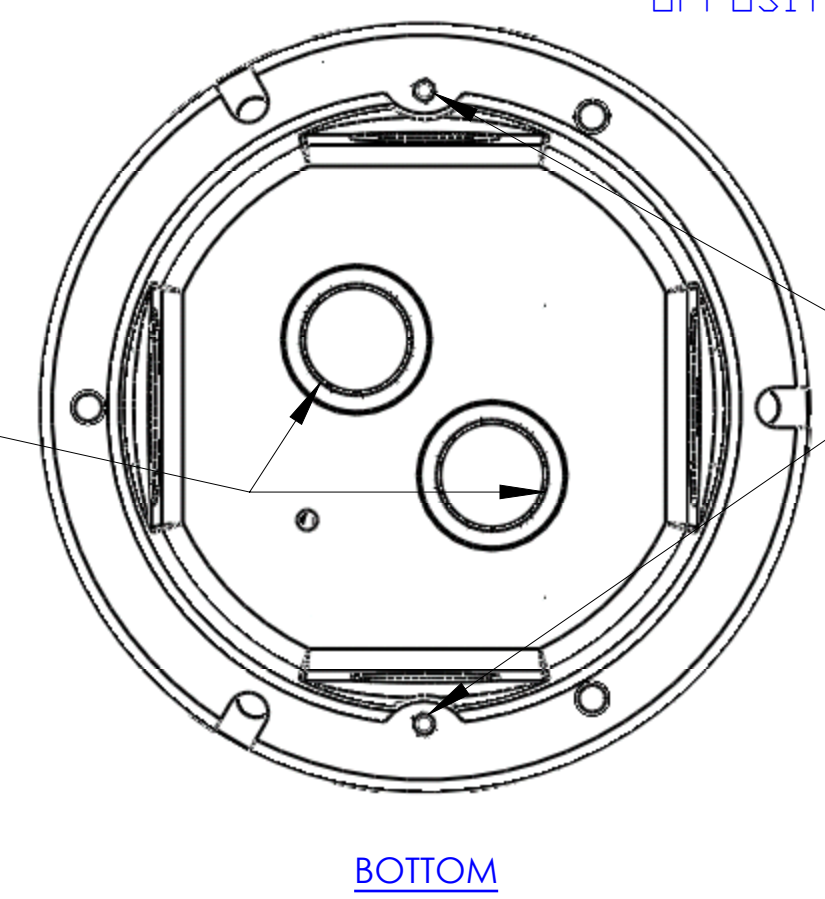
DESCRIPTION:
 CAST IRON FLOOR BOX FURNISHED WITH DFB-1-A (ALUMINUM) COVER & 15 AMP RECEPTACLE

'A' COVERMOUNTING HOLE (TAPED 8/32)
 'B' BOX MOUNTING SLOT
 'C' DUPLEX MOUNTING HOLE (TAPED 6/32)



RIGHT [EXPLODED]

1/2 CONDUIT OPENING [1/2 NPT WITH CAP]



RECEPTACLE MOUNTING HOLES

LEW ELECTRIC FITTINGS COMPANY
 SERVING THE ELECTRICAL INDUSTRY SINCE 1901
 1801 W. St. Charles Rd. Maywood, IL 60153
 PHONE: 708-345-2075

UNLESS OTHERWISE SPECIFIED:	NAME	DATE	TITLE: 812-DFB W DFB-1-A
DIMENSIONS ARE IN INCHES	DRAWN	9/10/2007	
TOLERANCES:			SIZE DWG. NO. REV C 1001070 A
FRACTIONAL: ±			
ANGULAR: MACH ± BEND ±			
TWO PLACE DECIMAL ±			
THREE PLACE DECIMAL ±			WEIGHT: SHEET 3 OF 10
INTERPRET GEOMETRIC TOLERANCING PER:	COMMENTS:		
MATERIAL:			
FINISH:			
DO NOT SCALE DRAWING			