

DESCRIPTION:
 CAST IRON FLOOR BOX FURNISHED WITH 523-
 DP BRASS COVER & 15 AMP RECEPTACLE

'A' COVERMOUNTING HOLE
 (TAPED 8/32)
 'B' BOX MOUNTING SLOT
 'C' DUPLEX MOUNTING
 HOLE (TAPED 6/32)

1 1/2" SCREW PLUG

BRASS, [3] 8-32 X .5
 FLAT HEAD SCREW
 [PROVIDED]

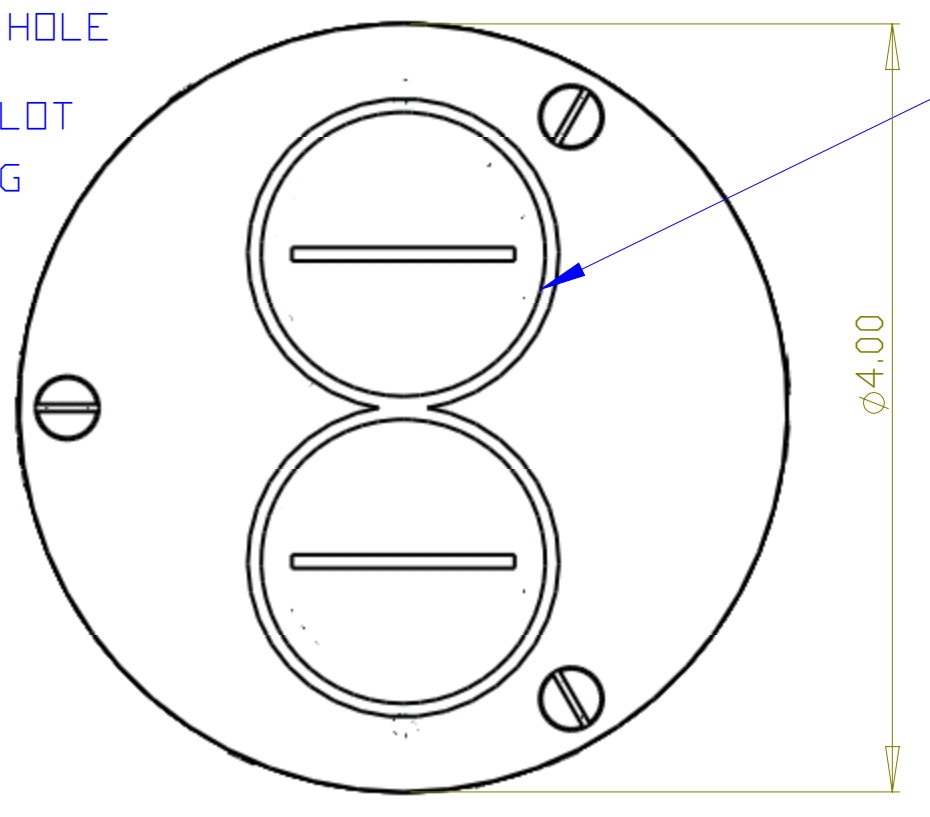
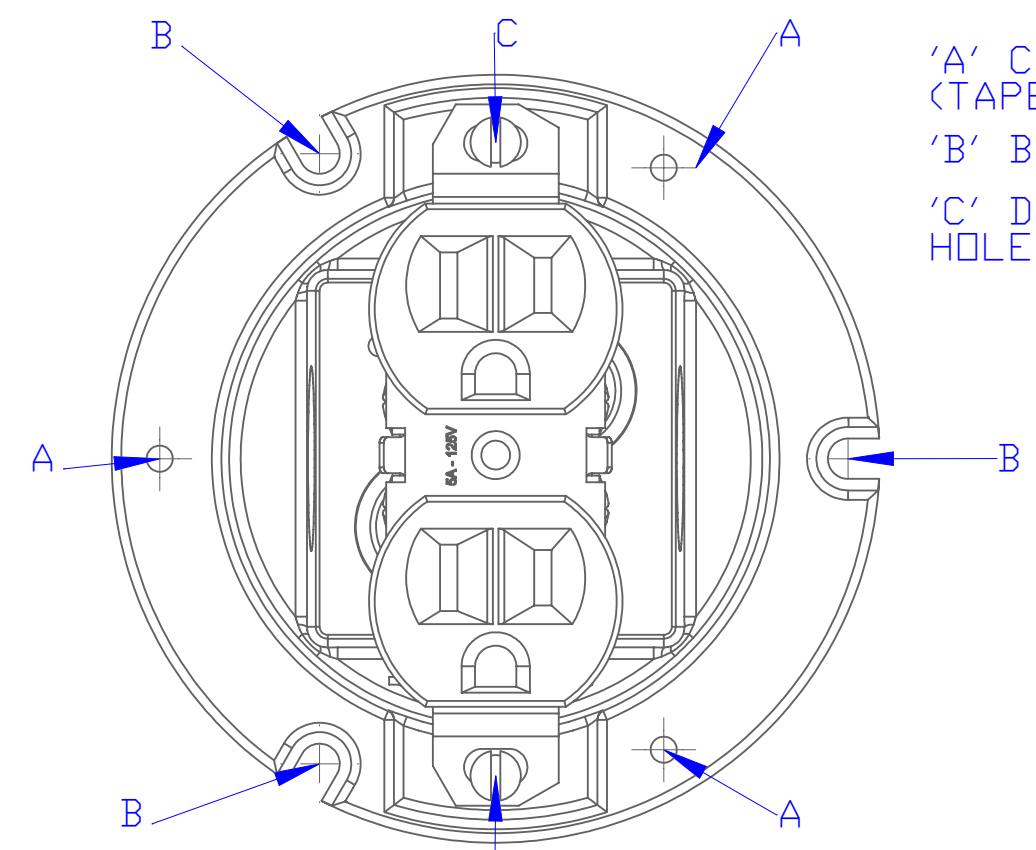
523-DP TYPE COVER

525-DP CORK GASKET
 FOR DUPLEX

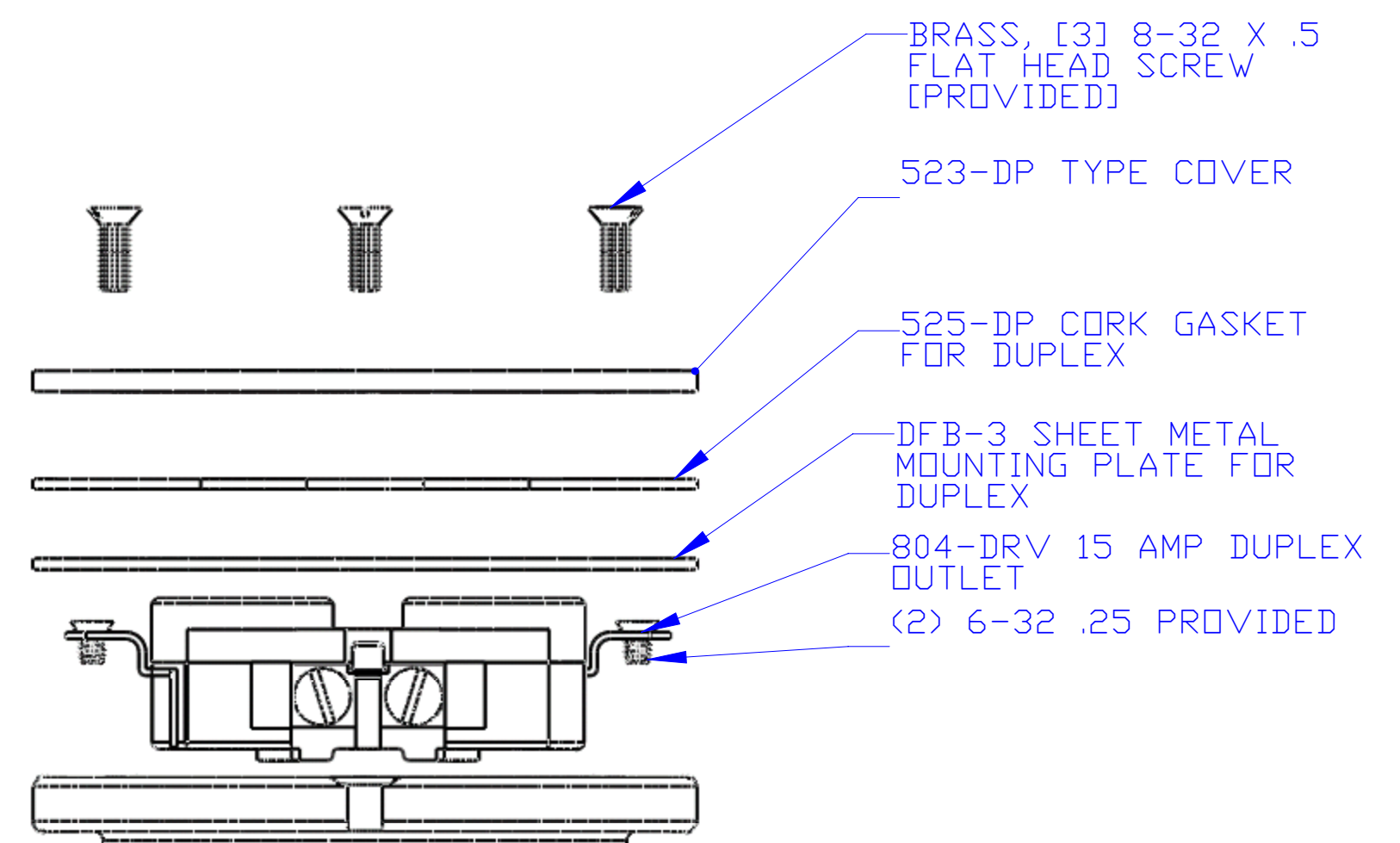
DFB-3 SHEET METAL
 MOUNTING PLATE FOR
 DUPLEX

804-DRV 15 AMP DUPLEX
 OUTLET
 (2) 6-32 .25 PROVIDED

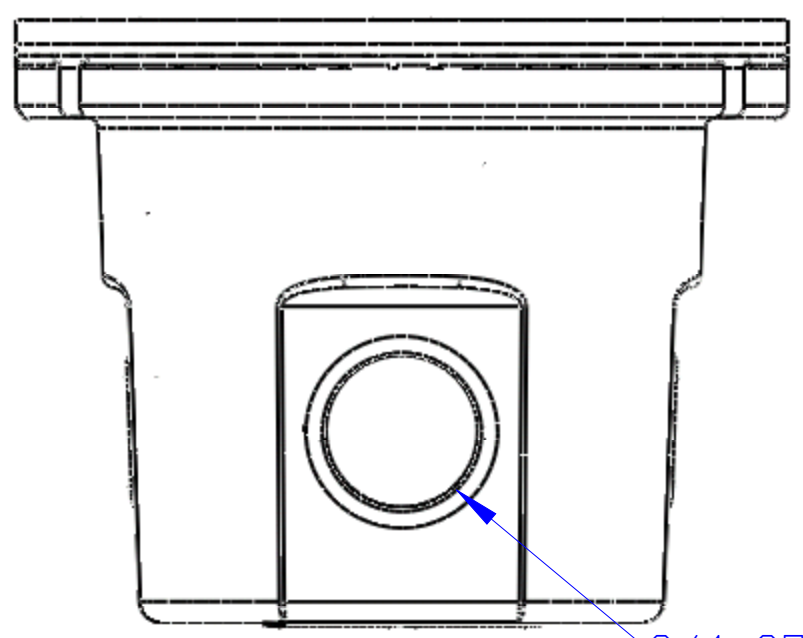
812 FLOOR BOX



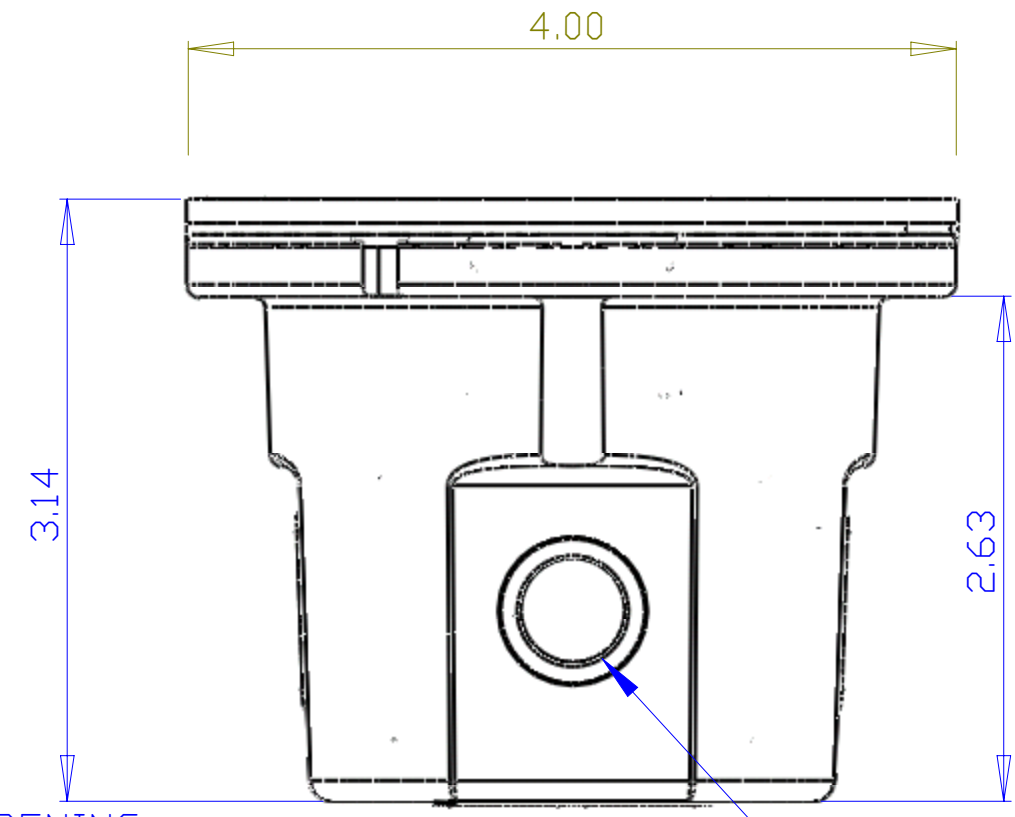
TOP



RIGHT [EXPLODED]



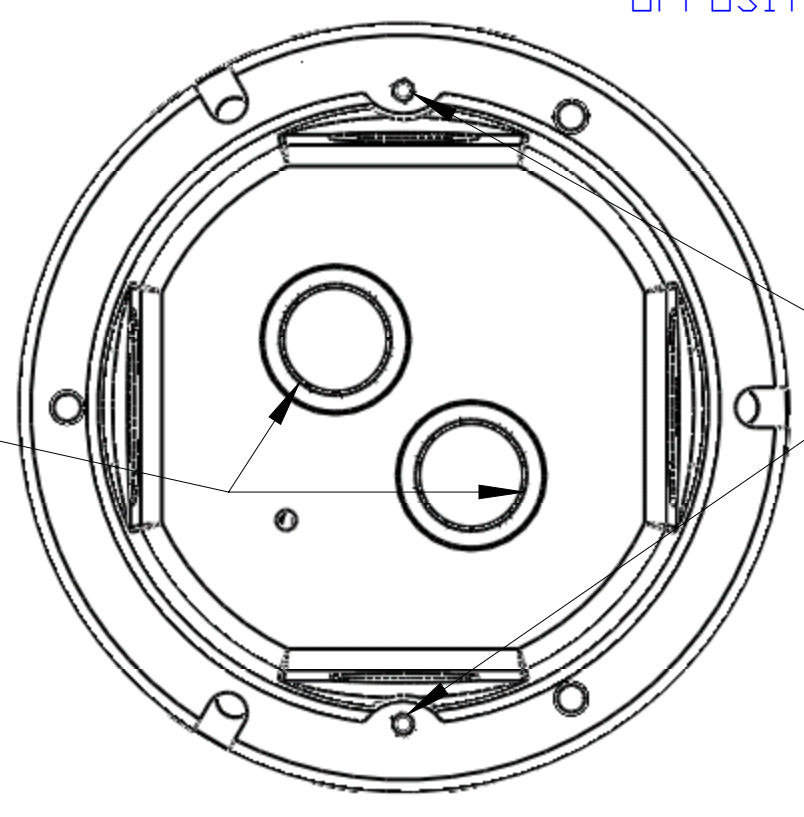
LEFT



FRONT

1/2 CONDUIT OPENING
 [1/2 NPT WITH CAP]
 OPPOSITE SIDE SAME

1/2 CONDUIT OPENING
 [1/2 NPT WITH CAP]



BOTTOM

LEW ELECTRIC
FITTINGS COMPANY
 SERVING THE ELECTRICAL INDUSTRY SINCE 1901
 1801 W. St. Charles Rd. Maywood, IL 60153
 PHONE: 708-345-2075

UNLESS OTHERWISE SPECIFIED:		NAME	DATE	TITLE: 812-DFB
DIMENSIONS ARE IN INCHES		DRAWN	P.J.G.	
TOLERANCES:		COMMENTS:		
FRACTIONAL: ±				
ANGULAR: MACH ± BEND ±				
TWO PLACE DECIMAL ±				
THREE PLACE DECIMAL ±		SIZE DWG. NO. REV		
INTERPRET GEOMETRIC TOLERANCING PER:		C 1001080 A		
MATERIAL:		WEIGHT: SHEET 4 OF 10		
FINISH:				
DO NOT SCALE DRAWING				