

571MK-F

Flush Mount Kit for 571C/571D



Features

- Flush Mount Kit for 571C/571D
- Vertical or Horizontal Orientation
- Retrofit Installation Compatible
- New Installation Compatible with 571MK-MRH or 571MK-VRH

Applications

- Airports
- Industrial
- Mass Transit
- Corporate
- Educational

General Description

The 571MK-F flush mount kits kit allows for the 571C or 571D communication stations to be mounted flush to a wall. The 571MK-F includes a flush mount back box. The kit allows for both horizontal and vertical configurations of the 571C or 571D. Conduit openings are provided on each side of the box for a 3/4" conduit. **Note: the 571C/571D must be purchased separately.**

The 571MK-F provides four mounting ears for retrofit installation, supporting walls up to 38.1mm (1.5in) thick.

For new construction, the 571MK-MRH horizontal mud ring bracket is needed for horizontal installations and 571MK-MRV vertical mud ring bracket is needed for vertical installations. These brackets must be purchased separately.

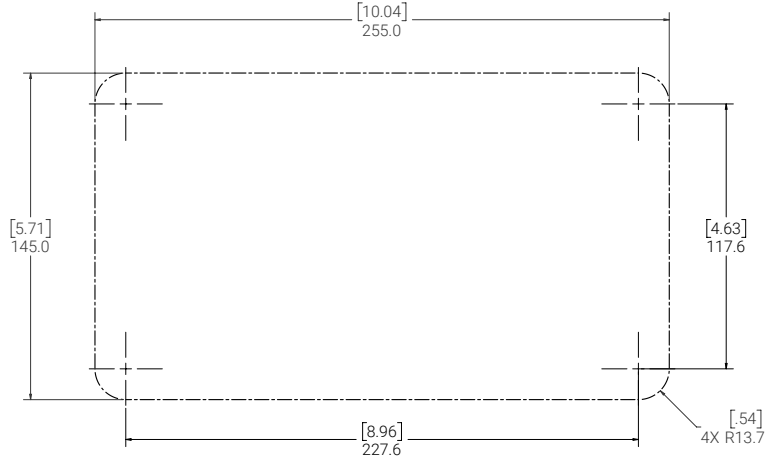
Weight

Flush Mount Kit - Unit Weight	1.01 lbs/.46 kg.
Flush Mount Kit - Shipping Weight	1.90 lbs/.86 kg.

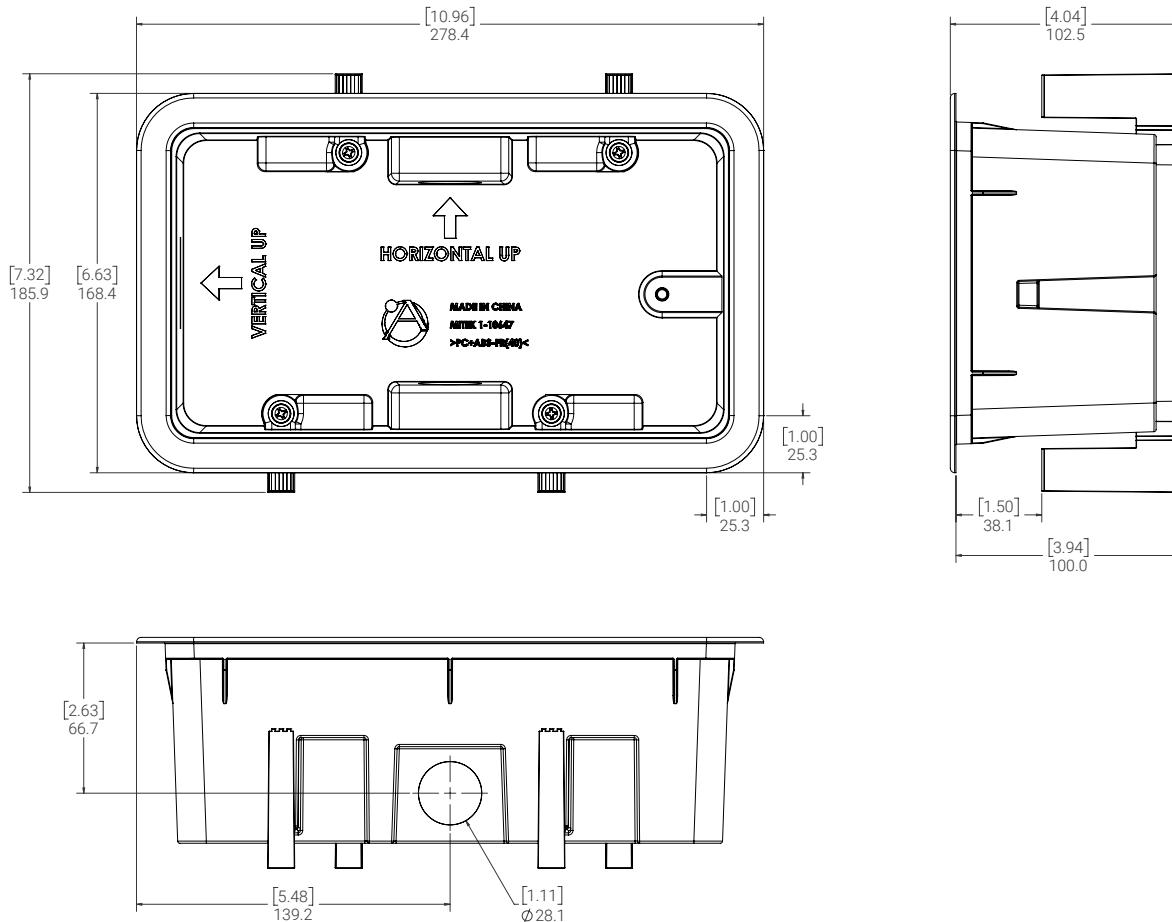
©2021 Atlas Sound L.P. The Atlas "Circle-A", Soundolier, and Atlas Sound are trademarks of Atlas Sound L.P. IED is a Registered Trademark of Innovative Electronic Designs LLC. All rights reserved. All other Trademarks are property of their respective owners. No endorsement is implied. Due to continual product development, specifications are subject to change without notice. ATSO06819 RevA 10/21

Dimensional Drawings

Cut out for Flush Mount Box

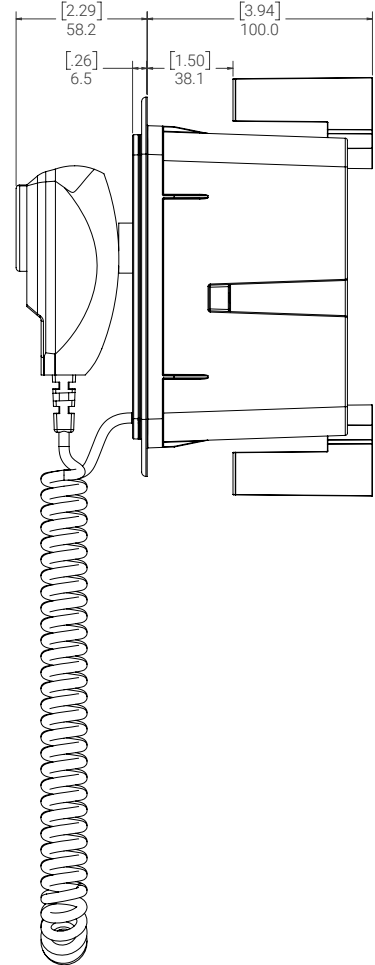
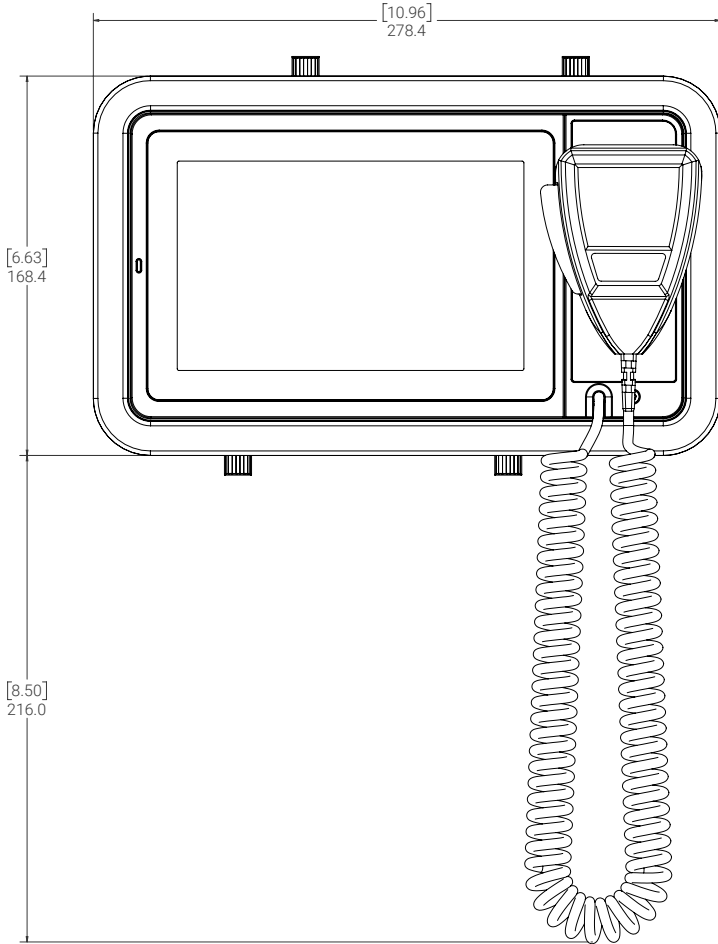


Horizontal Configuration - w/o Core Unit



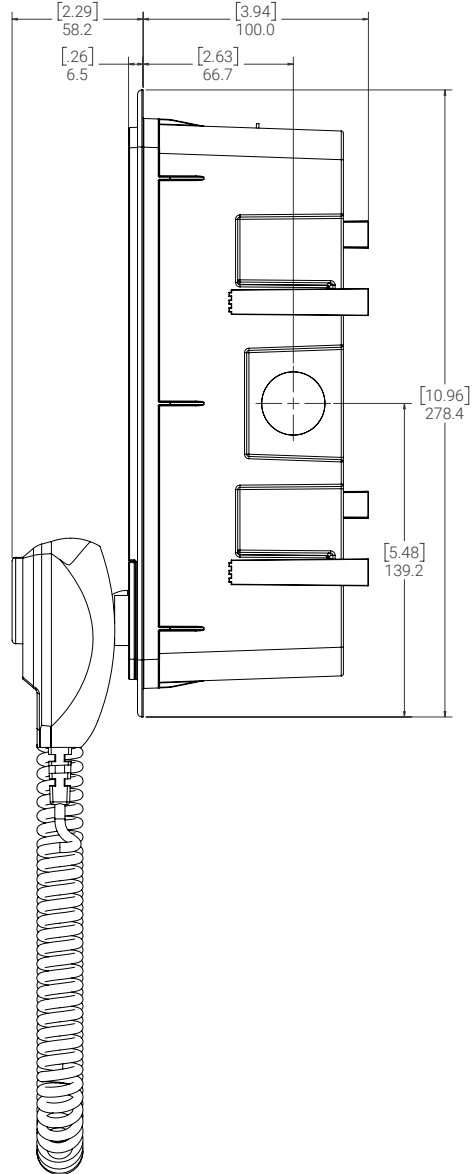
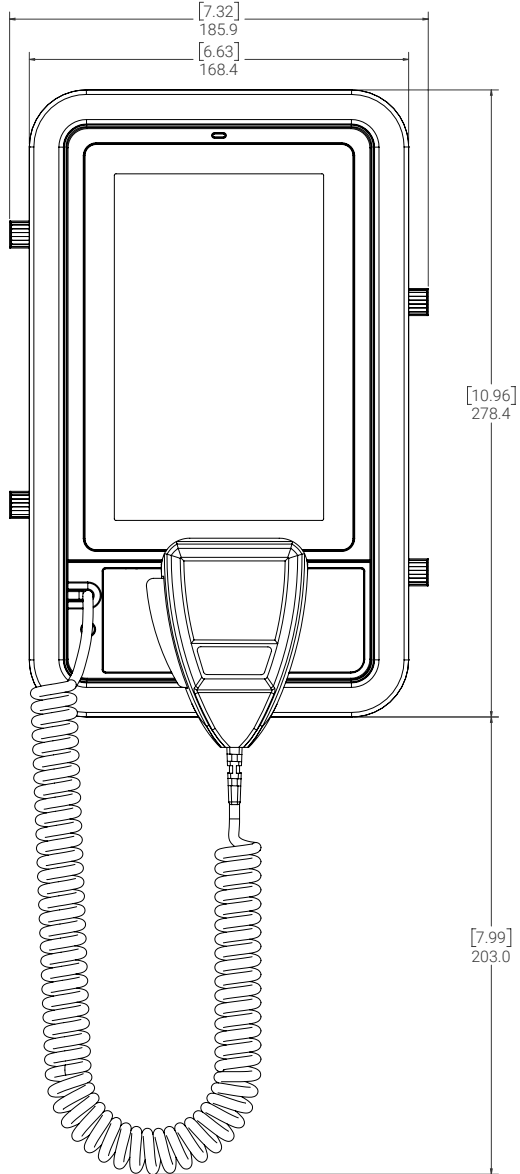
Dimensional Drawings

Horizontal Configuration - w/ Core Unit - Front/Side View



Dimensional Drawings

Vertical Configuration - w/ Core Unit - Front/Side View



Architect and Engineer Specifications

The 571 flush mount kit shall have four screws for attaching to either the 571C or 571D communication station. It shall contain a back box with four mounting ears allowing attachment for up to a 1.5in (38.1mm) thick wall. For pre-construction it shall work with a 571MK-MRH or 571MK-MRV. It shall have two openings for 3/4in rigid conduit (1.109in/2.815mm opening size) diameter for wiring. It shall be manufactured in plastic and colored RAL 9011 graphite black.

The 571 flush mount kit shall be the AtlasIED 571MK-F.