

**HALF SIZE  
BACK ACCESS COVER**

**23BAC**



MATES WITH  
VERTICAL SLANT  
STYLE POCKET



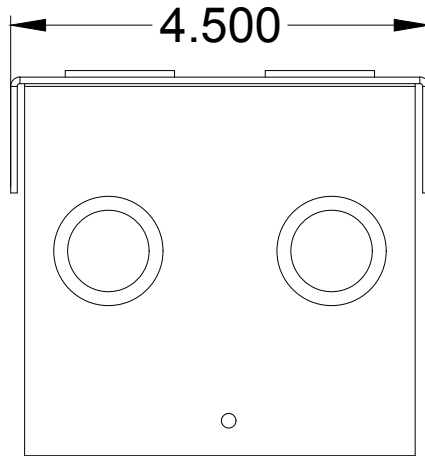
As part of the Half Stage Pocket System



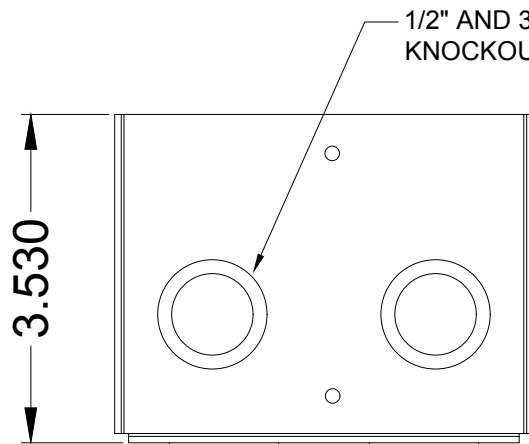
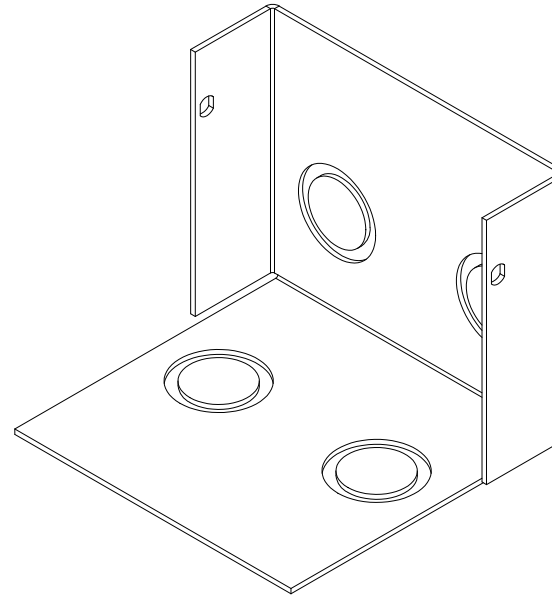
PROUDLY MADE  
IN THE U.S.A.



**ACE BACKSTAGE CO**  
Stage Pocket Systems **Connectivity**  
www.acebackstage.com

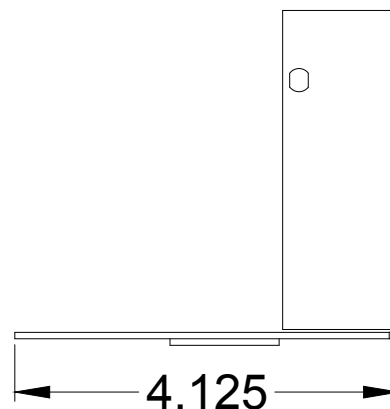


TOP VIEW



FRONT VIEW

1/2" AND 3/4" COMBINATION  
KNOCKOUTS (4) PLACES



4.125

REVISION: 11/2019

FINISH :

- Electro Deposited Clear Zinc  
ASTM Certified

COMPATIBLE POCKETS:

Any Half Size Stage Pocket: 123/223/323

DESCRIPTION:

Back Access Cover for use when installing Half Size  
Stage Pocket. Made from 14ga CRS.

REV  
1  
SHEET  
1 OF 1