



191 Series

Square Recessed Baffle For 8" Loudspeakers



191-78



191-78-8

Features

- Versatile Enclosures Mount Over 20 Atlas Sound Grilles
- Available in Various Depths to Meet Performance Requirements
- Choice of Recessed Models With/Without Torsion Spring Receptacles
- Choice of UL Listed and Plenum Rated Models
- Loudspeaker Enclosures with Greater Cubic Capacity Provide Improved Loading to Enhance High-Quality Sound Systems
- Generous Acoustic Fiberglass Lining Improves Low Frequency Response to Achieve Fuller, Richer Bass
- Choice of Square, Round, Recessed, and Surface Mount Models Meet Professional Sound Installation Requirements

Applications

Choose from various square enclosure models to fulfill different installation and application requirements. Selection includes protective enclosures for recessed installation of standard and UL Listed 4" (102mm) and 8" (203mm) loudspeakers. Models are offered in various depths and for torsion and screw-mount application of grilles. Select models are also offered in high-performance, extra-depth versions (8" deep) with acoustic fiberglass.

Enclosures with greater cubic capacity extend bass response by allowing additional acoustic loading for cost-effective application wherever enhanced audio quality of music and voice reproduction is desired. Recessed and surface-mount models offer superior quality with installation flexibility for professional sound system use in establishments of all kinds including lounges, restaurants, transportation centers, professional offices, meeting rooms, retail, and recreation areas. Standard depth enclosures are also available.

General Description

Atlas Sound square protective enclosures are cost-effective assemblies that mount a wide variety of Atlas Sound grilles. All models are of welded CRS construction, finished in black enamel, and are undercoated to eliminate mechanical and acoustical resonances. Units are also furnished with four compound conduit knockouts. Refer to chart on back for dimensions and mounting information.

Atlas Sound extra-depth enclosures with acoustic fiberglass lining extend quality and enhance performance of 8" diameter commercial and professional loudspeakers. The increased volume of these enclosures extends the low frequency response by improving acoustic loading. Backbox inner surfaces are undercoated to prevent metallic resonance in the higher end of the frequency spectrum and lined with 1½" (38 mm) thick high density fiberglass (1½ lbs. per cu. ft.). All round and square units are designed for recessed mounting with the exception of surface Model SM191-78-8. Industry standard 95 Series enclosures are offered in screw-mount and torsion spring (T) versions. Series 96 features internal mounting holes on the flange for installation convenience in acoustic tile ceilings. Model 191-78-8 includes adjustable mounting bracket for installation flexibility in a variety of ceiling types and depths. All enclosures are constructed of heavy-gauge CRS and include four conveniently located combination conduit knock-outs to facilitate installation. Recessed models are finished in rust-preventive, textured black coating. Surface model is finished in textured white.

Enclosures for 8" Diameter Loudspeakers

191-78 Versatile enclosure features an adjustable mounting bracket (1/16" - 3/4") to provide installation flexibility in a variety of ceiling types and depths. The 191 Series is designed for 8" (203mm) diameter loudspeakers and is available with standard screen mount configuration. 191-78 includes patch-jute lining and black enamel finish. Extra-depth, 8" deep version is also available with acoustic fiberglass.

©2011 Atlas Sound L.P. All rights reserved. Atlas Sound and Strategy Series are trademarks of Atlas Sound L.P. All other trademarks are the property of their respective owners. ATS004096 RevA 7/11

Specifications

191-78

Width	11 ¹¹ / ₁₆ " (297mm) Square
Depth	4" (102mm)
Mounting Bracket Depth	1/16" - 3/4" (2mm - 19mm)*
Volume	.316 ft. ³
Weight	3.5 lb (1.6 kg)
Mounts Baffle Models	19-8, 164-8

* Adjustable Mounting Flange

191-78-8

Diameter	8" x 11 ¹¹ / ₁₆ " Sq. (203 x 297mm)
Style	Recessed
Cubic Ft.	.632 ft. ³

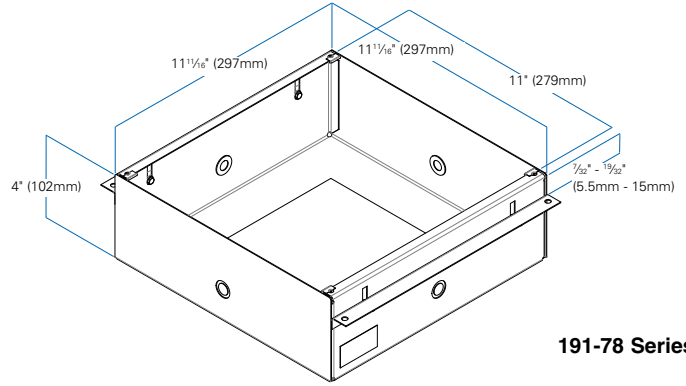
Architect and Engineer Specifications

191-78-8

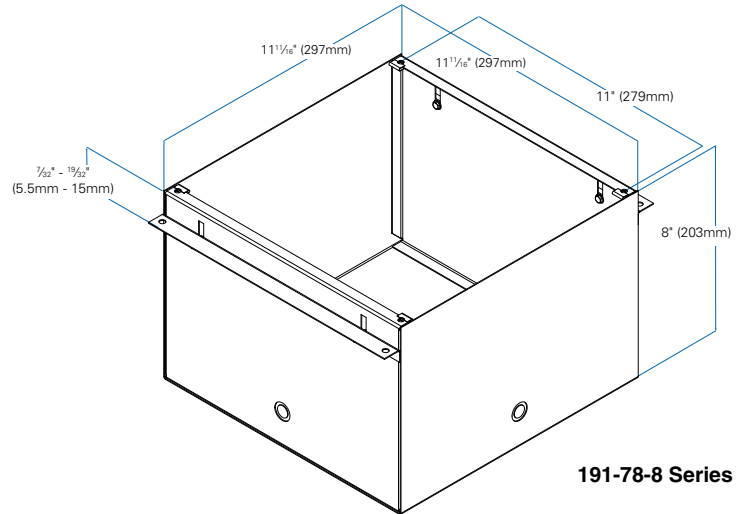
The metal protective enclosure shall be Atlas Sound Model 191-78-8. The enclosure shall be constructed of heavy-gauge cold rolled steel with interior undercoating and 1 1/2" (38mm) thick high density fiberglass (1 1/2 lbs. per ft.³). The unit shall be square and designed for recessed installations which will be accomplished via _____ (standard screw, flange mount, welded clip) mounting. Recessed models shall have a rust-preventive, textured black coating and the surface-mount unit finished in textured white. All enclosures shall include four triple compound conduit knockouts.

191-78

Protective enclosure shall be Atlas Sound Model _____. It shall contain four compound knockouts and be equipped without torsion spring receptacles. It shall be of welded CRS construction, have a black painted finish, and be undercoated to eliminate mechanical and acoustical resonances 191-78 is also patch-jute lined. Unit shall accommodate Atlas Sound baffle Model _____ and Atlas Sound (8", 4") loudspeaker Model _____.



191-78 Series



191-78-8 Series