

**DOUBLE WIDE SIZE  
8" DEEP BACK BOX**

**1048BBXW**



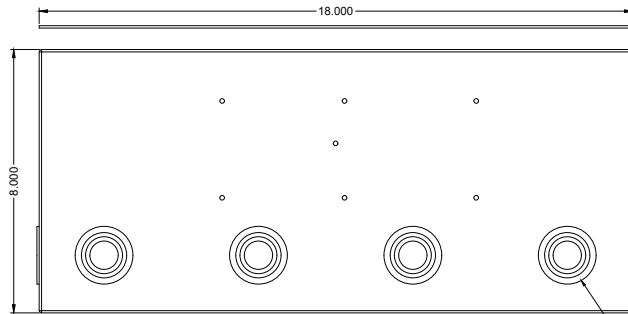
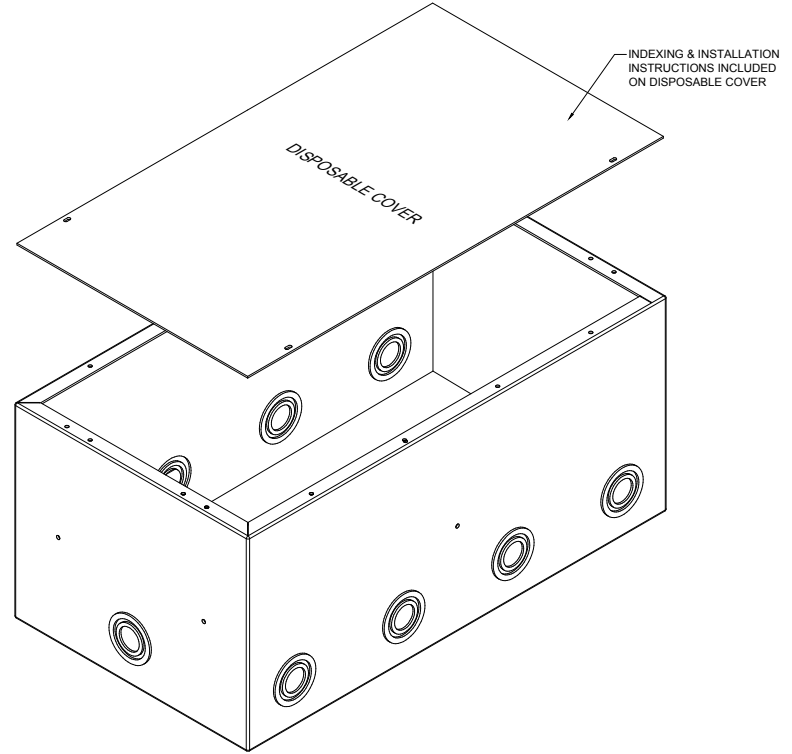
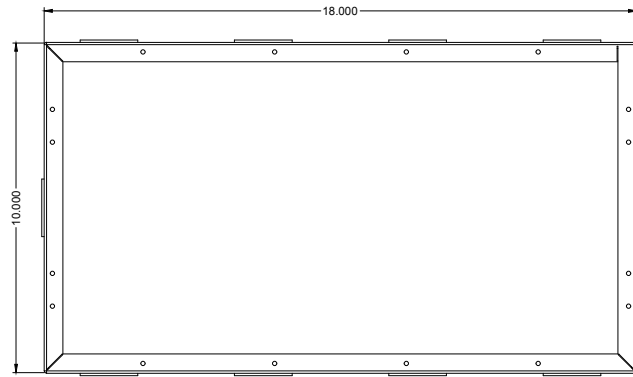
MATES WITH  
VERTICAL SLANT  
STYLE POCKET



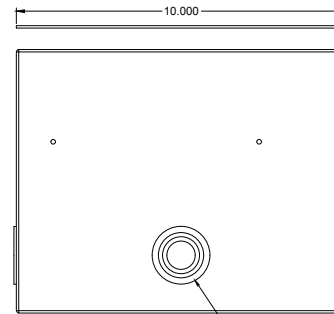
PROUDLY MADE  
IN THE U.S.A.



**ACE BACKSTAGE CO**  
Stage Pocket Systems **Connectivity**  
www.acebackstage.com



1/2", 3/4", 1", AND 1-1/4" COMBINATION  
KNOCKOUTS (4) PLACES TYPICAL ON  
OPPOSING SIDES



1/2", 3/4", 1", AND 1-1/4" COMBINATION  
KNOCKOUTS (1) PLACE TYPICAL ON  
OPPOSING SIDES

REVISION: 11/2019

FINISH :

- ASTM Certified Electro Deposited Clear Zinc  
- 1/16" Thick Polyurethane Jacket for  
moisture seal

COMPATIBLE POCKETS:

**Any Double Wide Size Stage Pocket:  
124/224/324**

DESCRIPTION:

Polyurethane encapsulated Rough In Box for use with Double Wide Size Stage Pockets. Provides extra protection from incursion of moisture and water by sealing seams, knock-outs, and holes. Provides 3.5" of junction clearance underneath the installed Pocket. Made from 14ga CRS.

REV  
**1**  
SHEET  
1 OF 1