

FULL SIZE BACK BOX

102BBXW



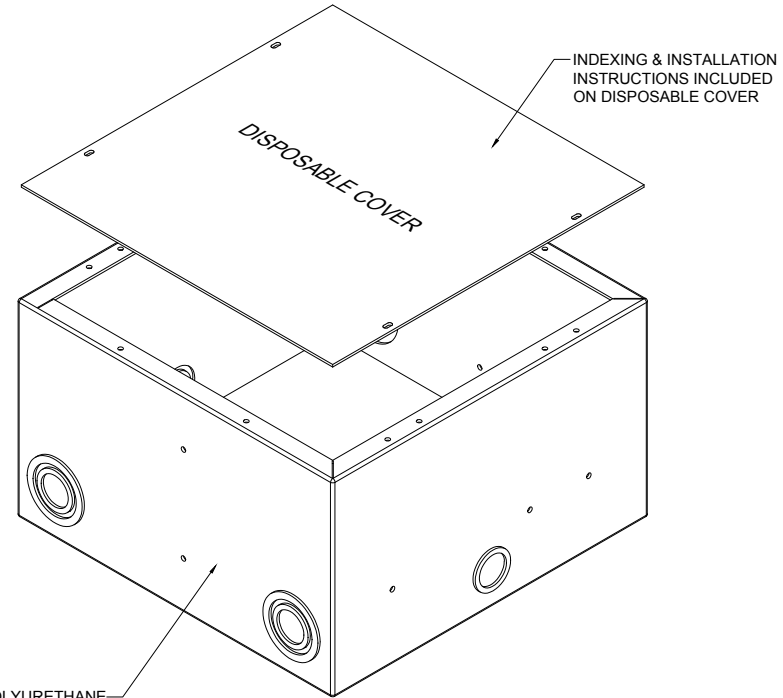
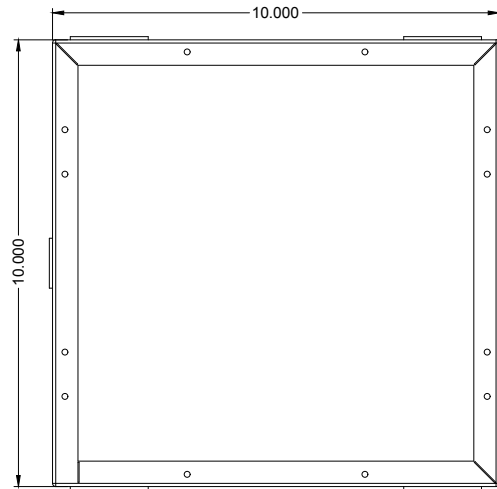
MATES WITH VERTICAL SLANT STYLE POCKET



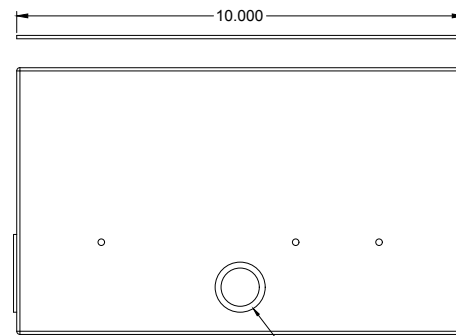
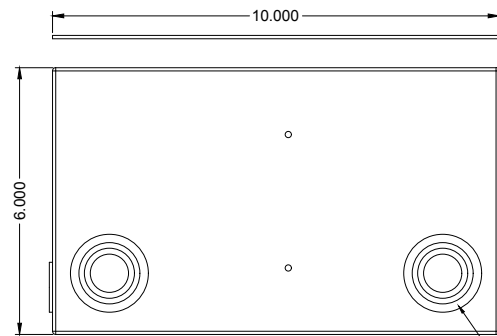
PROUDLY MADE IN THE U.S.A.



ACE BACKSTAGE CO
Stage Pocket Systems **Connectivity**
www.acebackstage.com



SEALED WITH THERMOPLASTIC POLYURETHANE APPLIED TO THE EXTERIOR SIDES AND BOTTOM OF BOX



1/2", 3/4", 1", AND 1-1/4" COMBINATION KNOCKOUTS (2) PLACES TYPICAL ON OPPOSING SIDES

1/2" AND 3/4" COMBINATION KNOCKOUTS (1) PLACE TYPICAL ON OPPOSING SIDES

REVISION: 11/2019	FINISH : - ASTM Certified Electro Deposited Clear Zinc - 1/16" Thick Polyurethane Jacket for moisture seal	COMPATIBLE POCKETS: Any Full Size Stage Pocket: 122/222/322	DESCRIPTION: Polyurethane encapsulated Rough In Box for use with Full Size Stage Pockets. Provides extra protection from incursion of moisture and water by sealing seams, knock-outs, and holes. Made from 14ga CRS.	REV 1
ALL DIMENSIONS ARE FOR REFERENCE ONLY. ALL DIMENSIONS ARE IN INCHES				SHEET 1 OF 1